

## Two-Handle Basin Faucet 6880-91-80CP

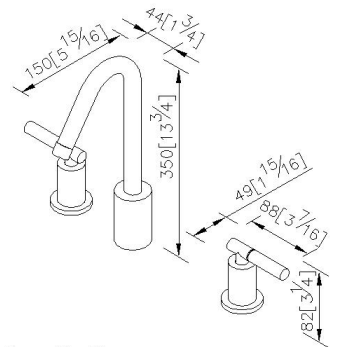
### INTRODUCTION:

The slender and contrasting handles are one of the main themes of the whole series. Combined with the cylindrical water outlet, it shows the overall static stability. The visual effect of simple lines brings soothing enjoyment to the body and mind, allowing users to wash off the exhaustion in the bathroom space.



### DESCRIPTION:

- 1.Ceramic cartridge with MARUWA (Japan) ceramic disc.
- 2.Handle valve turning range from closed position: 90°
- 3.Stainless steel braided hose with SANTOPRENE tube (meets NSF approval), can bear 15Kg/cm2 water pressure and 120°C heat.
- 4.Stainless steel braided hose with M10 x 1.0mm (Male thread connected to faucet body) and 1/2"-14NPSM (Female thread connected to water supply system).
- 5.Aerator with removable flow restrictor (2.2 GPM max.), end-user can remove it for larger water flow request.
- 6.Material of spout meets JIS C2700 standard.
- 7.Chrome plated finish meets the standard of ASTM-SC2.
- 8.Material of forging body meets JIS 3771 standard.



unit: mm[inch]

### Certification:

### Fixing Kits:

- 1.

### AWARD: