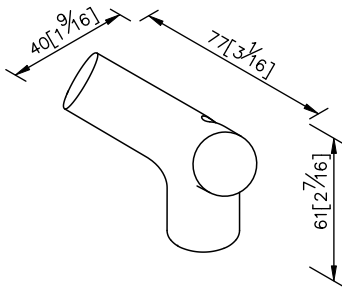


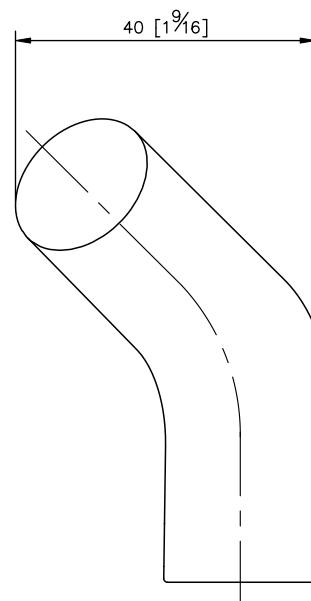
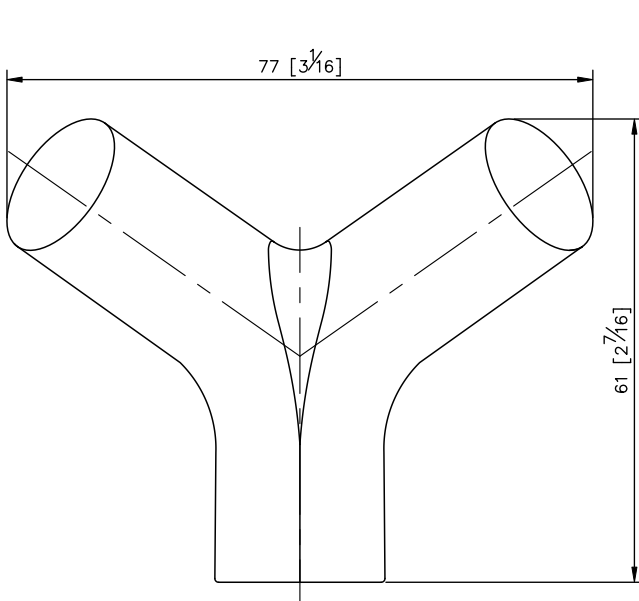
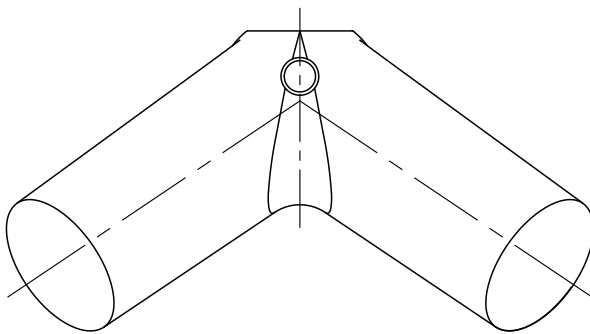
## Robe Hook (Double)

7875-52-80CP



1. Material of forging body meets JIS 3771 standard.
2. Brass with chrome-plated; SC2 standard of ASTM for 3 years guarantee; pass 96 hours Salt Spray Test.
3. Material of Wall Bracket: Copper JIS3771.
4. Material of Screw : Stainless steel SUS 304
5. Loading: 5 kgf
6. Product is suitable for toilets of public spaces.

unit: mm[inch]



### Mounting Template Specification

