

Sensor Basin Faucet W/Mixing Valve (DC) 5790-S1-80CP

INTRODUCTION:

As the ancient Chinese proverb said, square implies honest, round implies intelligent and the combination of both means wisdom. This great wisdom is the accumulation of Chinese culture for thousands of years, the principal of behaviors and embodiment of Eastern philosophy. Square and round of Arch 2 Basin Sensor Faucet present on the spout design to display the perfect interpretation of ancient wisdom and modern style.



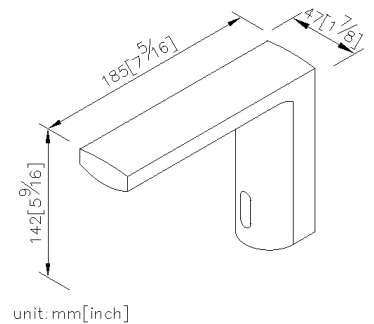
DESCRIPTION:

1. Infrared Sensor Automatic Detection, Valve off if water flowing over 60sec.
2. Inner filter prevent the blockages of sensor valve.
3. Power Source: Alkaline Battery AA x 4, DC6V(1.5V x 4)
4. Battery life test: about 300,000 alkaline batteries; about 100,000 carbon zinc batteries.
5. Flush Mode: Water start flowing if valid sensing around 0.5sec~1.0sec
6. Low power prompt: When battery power is low, red indicator light will be flashed for prompting battery replacement.
7. The faucet valve can stand the pressure from 0.5 to 6 kgf/cm²
8. Brass with Chrome plated meets ASTM-SC2 standard; 5 years guarantee.
9. Stainless steel braided hose with SANTOPRENE tube (meets NSF approval), can be stood 15Kg/cm² water pressure and 120°C heat.

Certification:

Fixing Kits:

- 1. Mounting Bolt*1
- Rubber Washer*1
- Nut*1
- Bracket*1



AWARD: