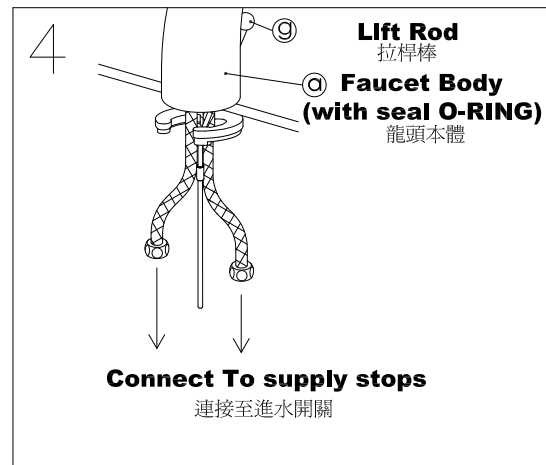
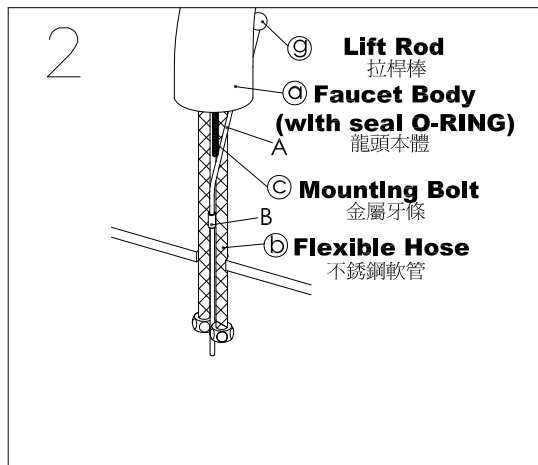
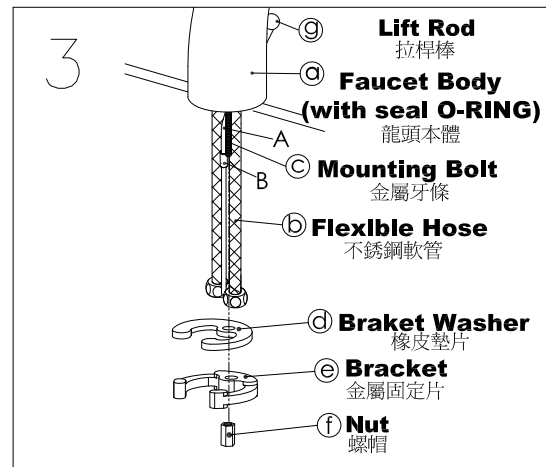
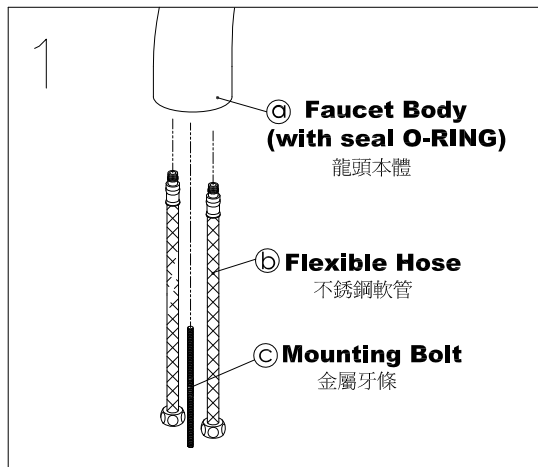


INSTALLATION GUIDE

BIDET MIXER

下身盆龍頭安裝說明



1. Screw **Flexible Hoses** and **Mounting Bolt** into **Faucet Body (with seal O-RING)**.
將冷熱進水不銹鋼軟管和金屬牙條鎖緊固定於龍頭本體。
2. Insert **Flexible Hoses** and **Mounting Bolt** through basin hole in fixture, meanwhile, assemble **Lift Rod** with **Faucet Body**.
再將冷熱進水不銹鋼軟管和金屬牙條穿過洗臉盆(檯)洞口後, 準備安裝, 同時, 把拉桿棒組裝在龍頭本體上。
3. Place **Bracket (with Bracket Washer)** and **Nut** onto **Mounting Bolt**, position faucet on fixture, then tighten **Nut** securely.
從金屬牙條下方依序套入橡皮墊片, 金屬固定片, 和螺帽, 確認龍頭方向位置後, 鎖緊螺帽固定龍頭即可。
4. Connect **Flexible Hoses** to supply stops.
連接冷熱進水不銹鋼軟管到進水開關, 確認完成安裝程序。

FIXING CONTENTS

組配件內容

