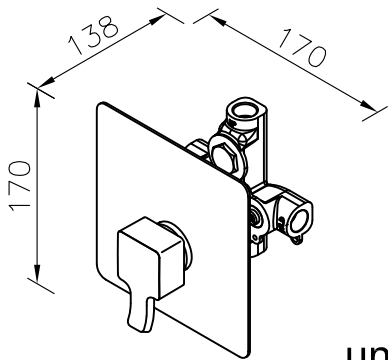


# Concealed Mixer Valve W/Check Valve



unit:mm

