

# INSTALLATION INSTRUCTIONS

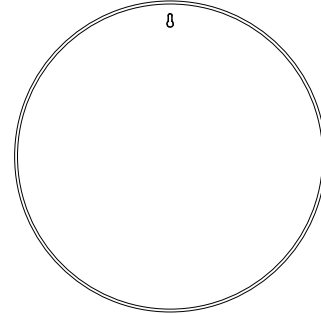
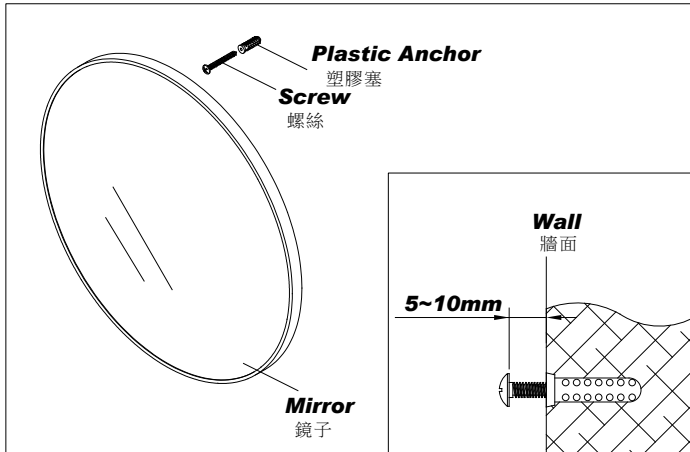
## 掛鏡安裝說明

1. Select proper position for product and mark center of mounting hole on wall. .  
請先選取預定安裝的位置,並在牆壁上畫上預定鑽孔記號.

2. Using a 6mm drill-bit, drill the hole in marked position to 40mm depth. Insert the **Plastic Anchor** to the hole on wall, fix the **Screw** into **Plastic Anchor**, and keep **Screw** head be 5 to 10mm out of wall for hanging on Mirror.

當安裝在水泥牆,使用6mm鑽頭,鑽孔深度4公分,嵌入塑膠塞並使之齊平於牆面,將螺絲鎖緊在牆上,並預留螺絲與牆面距離.

3. Aim the hole on the backside of **Mirror** to **Screw** and hung Mirror on **Screw**.  
再將鏡子螺絲孔對準螺絲頭掛上鏡子.



**7806-76 Ø395mm**  
**7882-76 Ø588mm**  
**7882-78 Ø800mm**