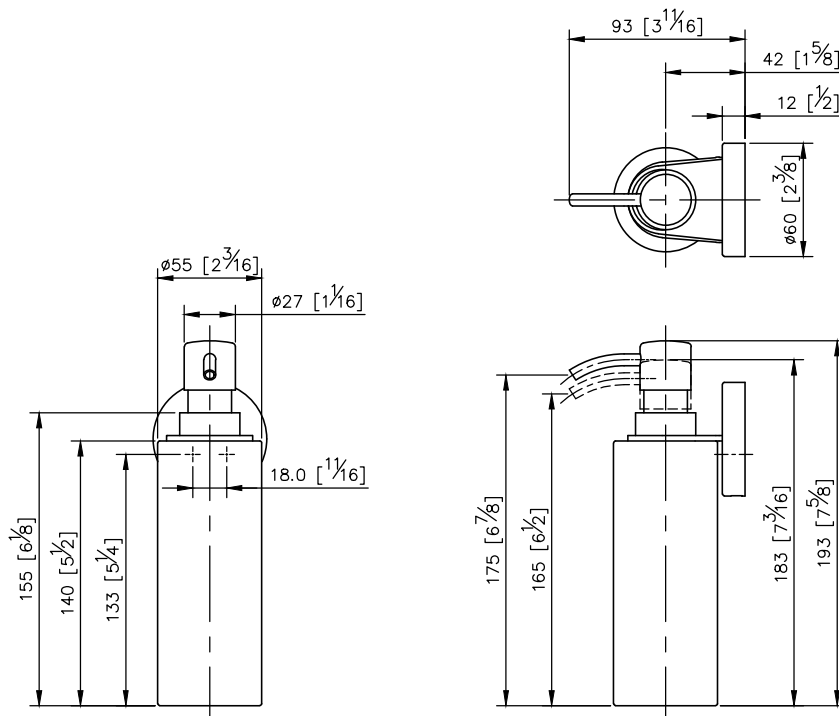


unit: mm[inch]

Soap Dispenser 7810-27-80S1

1. Stainless Steel body meets SUS 304 standard.
2. Premium metal construction for durability.
3. Justime finishes resist corrosion and tarnish.
4. The simply design concept could be collocated with diverse space.
5. Vertical force could support a static load of 2 kgf.
6. Stainless steel soap dispenser.
7. 1.0cc for each dispense.
8. Capacity: 300ml.
9. Coordinates with other products in 7810 collection.



Mounting Template Specification

