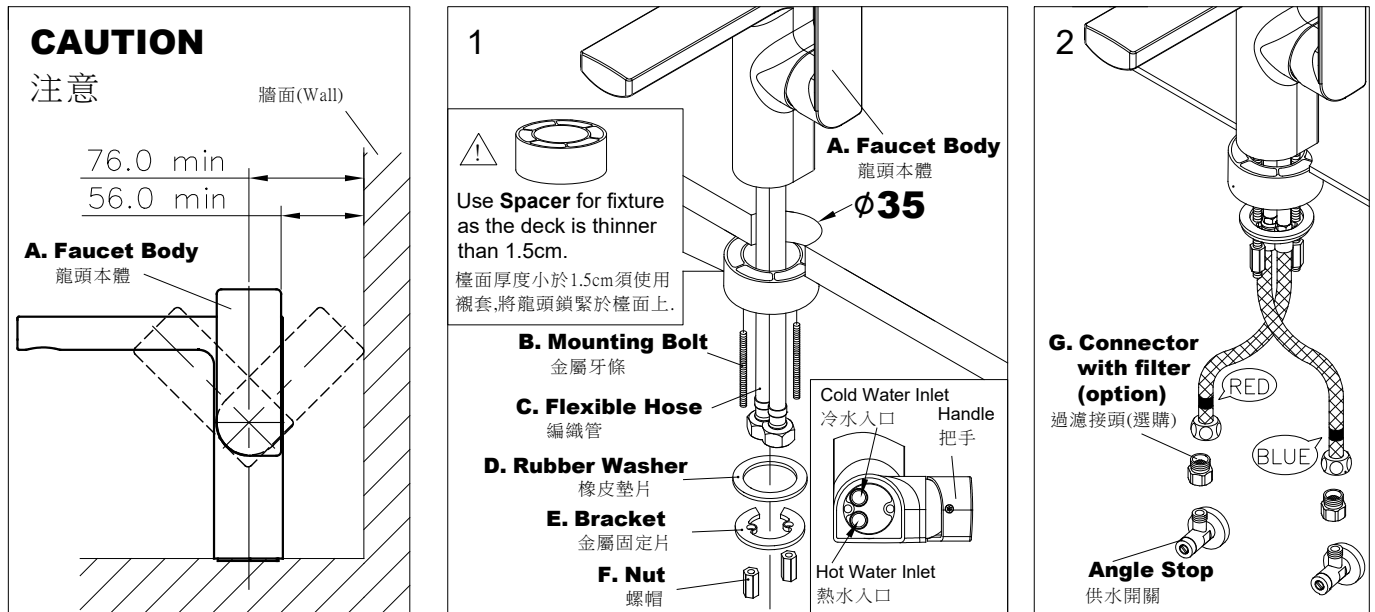


INSTALLATION INSTRUCTIONS

BASIN FAUCET

面盆龍頭安裝說明



CAUTION : Prevent The Risk Of Product Damage.

注意：為增加產品使用壽命，請依說明清潔供水管路。

a./ Turn on angle stops (water supplies) and run for 1minute to clean the dirt before connecting with flexible hose to faucet body. Or b./ 安裝編織管之前，先把供水開關全開排水一分鐘。或 b./

b./ Connect faucet and angle stops with flexible hoses (supply hoses) securely, and then remove the aerator. Fully turn on the valve(s) to run for 1 minute to clean the dirt, turn off the valve(s), and then reinstall the aerator.

把龍頭、供水開關及編織管接好並鎖緊之後，把起泡器移開，把熱水及冷水全部轉開一分鐘，然後把水關掉再把起泡器裝回去。

⚠ Use **Spacer** for fixture as the deck is thinner than 1.5cm.

檯面厚度小於1.5cm須使用襯套,將龍頭鎖緊於檯面上。

1. Connect and tighten the **Flexible Hoses** to the **Faucet Body** (Please notice the inlets of cold and hot water.) The diameter of installing hole should be 35mm. Screw **Mounting Bolts** into the bottom of **Faucet Body**, position **Faucet Body** on fixture, place **Rubber Washer**, **Bracket** and **Nuts** onto **Mounting Bolts** in sequence, and then tighten **Nuts** securely. 將編織管鎖入龍頭底部進水口，鎖入時注意冷、熱水方向。檯面鑽一圓孔直徑35mm，將金屬牙條鎖緊固定於龍頭本體。從金屬牙條下方依序套入橡皮墊片、金屬固定片和螺帽，確認方向位置後，鎖緊螺帽固定龍頭即可。

2. Install connector with filter (Optional) onto outlets of angle stops, and then connect the **Flexible Hoses** to connectors. 先連接過濾接頭到進水開關，再將編織管連接到過濾接頭，確認完成安裝程序。

FIXING CONTENTS

組配件內容

