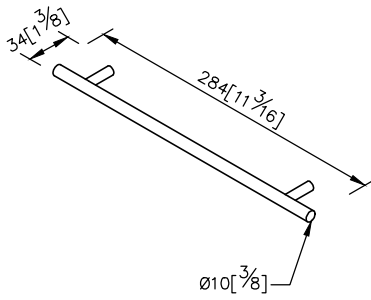


Drawer Handle

6991-P2-81S1

1. Stainless Steel body meets SUS 303 standard.
2. Premium metal construction for durability.
3. Justime finishes resist corrosion and tarnish.
4. Coordinates with other products in 6991 collection.



unit: mm[inch]

