

INSTALLATION INSTRUCTIONS

Two-Handle Bathtub Faucet W/Diverter & Hand Shower 浴缸龍頭安裝說明

CAUTION : Prevent The Risk Of Product Damage.

注意：為增加產品使用壽命，請依說明清潔供水管路。

a./ Turn on angle stops (water supplies) and run for 1 minute before connect supply hose (flexible hose) to faucet body. or b./

安裝編織管之前，先把供水開關全開排水一分鐘。或 b./

b./ Tightly connect faucet and angle stops with supply hose (flexible hose) to finish installation, remove aerator, fully turn on hot and cold water valves and run for 1 minute, and then turn off water and reinstall aerator.

把龍頭、供水開關及編織管接好並鎖緊之後，把起泡器移開，把熱水及冷水全部轉開一分鐘，然後把水關掉再把起泡器裝回去。

1. Drill 5 holes on appropriate position as Fig.1 show.

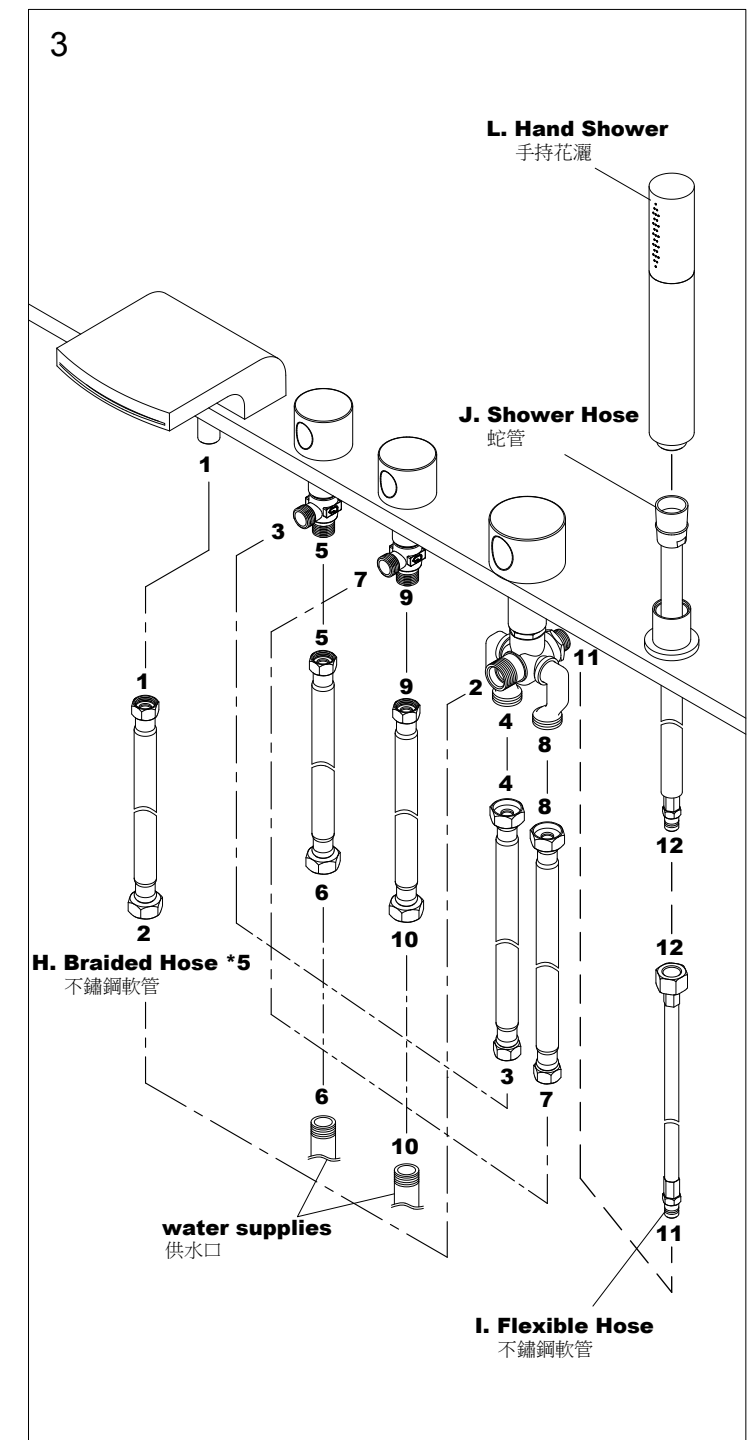
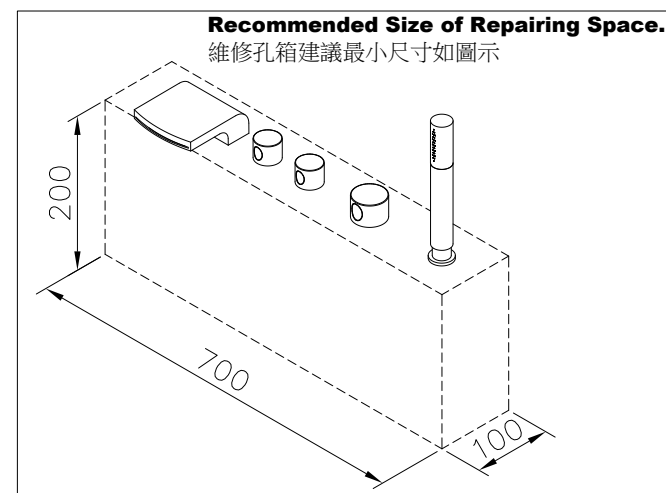
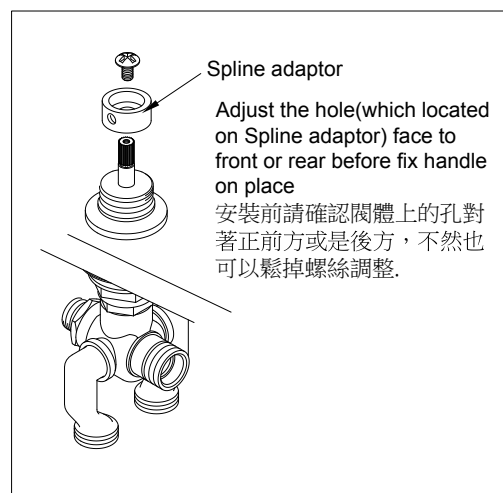
如 Fig.1 所示在適當的位置鑽5個孔。

2. Connect **Thread Tube** to **Spout** and fix **Spout** with **Lock Nut** and **Washers**. Disassemble **Bases** from **Valves** and **Diverter**, tightly fix **Valves** and **Diverter** on countertop with **Bases** and **Nuts**; fix **Shower Holder** on countertop with **Nut**. Press **Handles** onto **Valves**, fix the **Diverter Handle** with **Set Screw**, and then cover **Decorative Cover** on as Fig. 2 show.

如 Fig.2 所示，將牙管鎖入出水口後，套入橡皮墊片和華司，並以螺帽逼緊固定。接著將冷熱閥體、切換器閥體、花灑基座穿過檯面的孔洞，與固定座對鎖後，逼緊螺帽固定。最後將冷熱把手壓入固定座；切換器把手套進固定座後，鎖入螺絲固定，並蓋上裝飾蓋。

3. Connect **Braided Hoses** and **Flexible Hose** as Fig. 3 show.

如 Fig.3所示將編織管連接對應的管路即可。



FIXING CONTENTS

組配件內容

