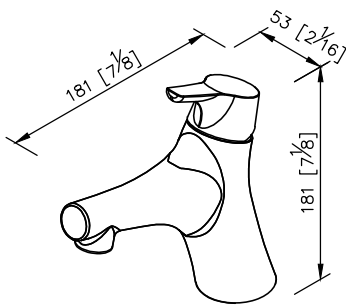


Basin Faucet 6927-90-80CP



unit: mm[inch]

1. Material of handle meets JIS 3771 standard.
2. Material of casting body meets ISO CuZn40Pb standard.
3. Finish meets the standard of ASTM-SC2.
4. Ceramic valve with CERAMTEC ceramic disc/(Germany).
5. Handle can be moved up to adjust water flow from closed position. Hot and cold water can be controlled by swinging handle.
6. Stainless steel braided hose with M10 x 1.0mm (Male thread connect to faucet body) and 1/2"-14NPSM (Female thread connect to water supply system).
7. Aerator flow restrictor (2.2 GPM max.).
8. Coordinates with other products in Nature collection.

