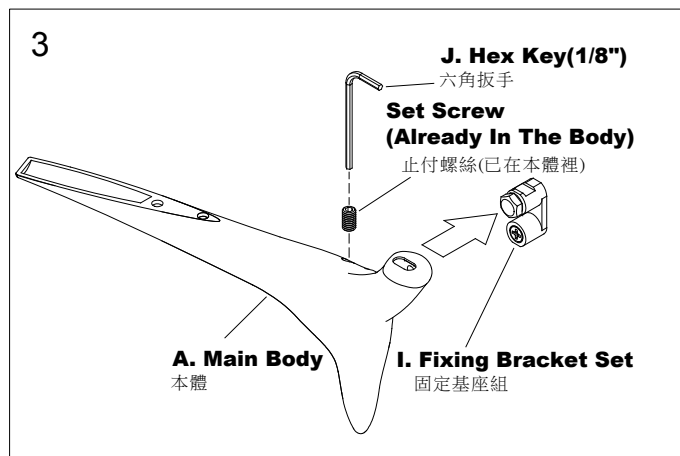
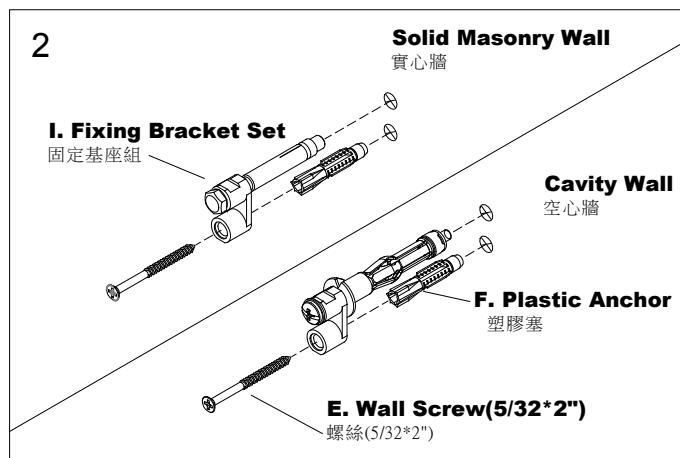
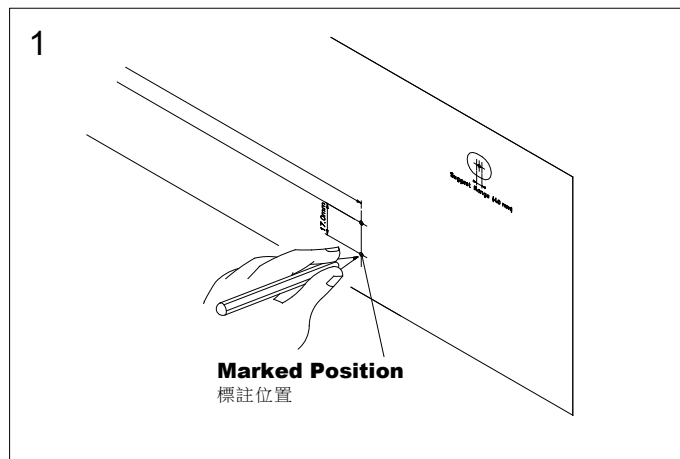


INSTALLATION INSTRUCTIONS

NATURE Shelf NATURE平台安裝說明

PATENT NUMBER:
專利號碼:
008339238-0004



1. Select proper position for product, mark centers of mounting holes on wall with **Tempalte**, and ensure the centers of mounting holes of **Fixing Bracket** on wall vertically.

請先使用對位紙在牆壁上畫預定鑽孔記號，確認固定基座鑽孔的位置是否垂直及對位紙孔位是否正確。

2. Using an 8mm drill-bit, drill the upper hole (For **Rawlbolt**) of **Fixing Bracket** in marked position to a depth of 5cm; using an 6mm drill-bit, drill the lower hole (For **Plastic Anchor**) of **Fixing Bracket** in marked position to a depth of 5cm. Insert the **Plastic Anchor** to the lower hole on the wall first, and then insert the **Rawlbolt With Fixing Bracket** to the upper hole. Fix the **Fixing Bracket** with **Rawlbolt** and **Wall Screw (5/32x2")**.

使用8mm鑽頭，鑽固定基座上面的孔，鑽孔深度5公分，使用6mm鑽頭，鑽固定基座下面的孔，鑽孔深度5公分。先將塑膠塞填入至固定基座下方孔並齊平於牆面，再將膨脹螺絲+固定基座組填入至上面的鑽孔至固定基座齊平於牆面即可，將固定基座以膨脹螺絲及螺絲(5/32x2")鎖固在牆上。

3. Slide **Main Body** over **Fixing Bracket** and then tighten **Set Screw** of **Main Body** by **Hex Key (1/8")**.

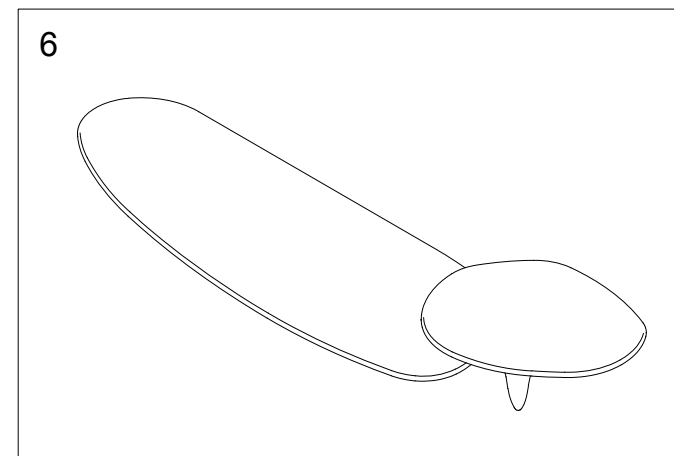
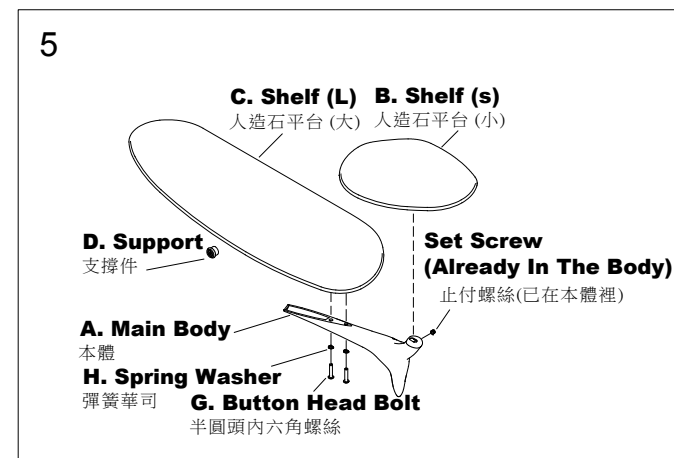
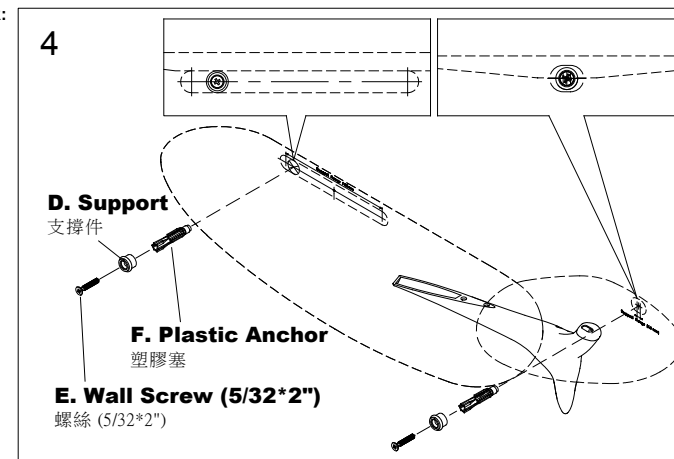
將本體對準固定基座裝入並貼緊牆壁，再使用六角扳手(1/8")鎖緊本體的止付螺絲。

4. Place **Shelf** on the **Main Body** to check if the position of **Support** is correct. If it is correct, use a 6mm drill-bit, drill in marked position to 5cm depth, insert the **Plastic Anchor**, and then fix the **Support** with **Wall Screw (5/32x2")**.

試放置人造石平台確認支撐件預定鑽孔位置是否正確，確認沒問題後，於最後確認位置使用6mm鑽頭，鑽孔深度5公分並安裝支撐件。

5. Fix the **Shelf (L)** with **Spring Washers** and **Button Head Bolts** by **Hex Key (2.5mm)**; tighten the **Set Screw** to fix the **Shelf (S)** by **Hex Key (2.5mm)**.

使用六角扳手(2.5mm)將人造石平台將螺絲鎖至相對應位置。



FIXING CONTENTS

組配件內容

