

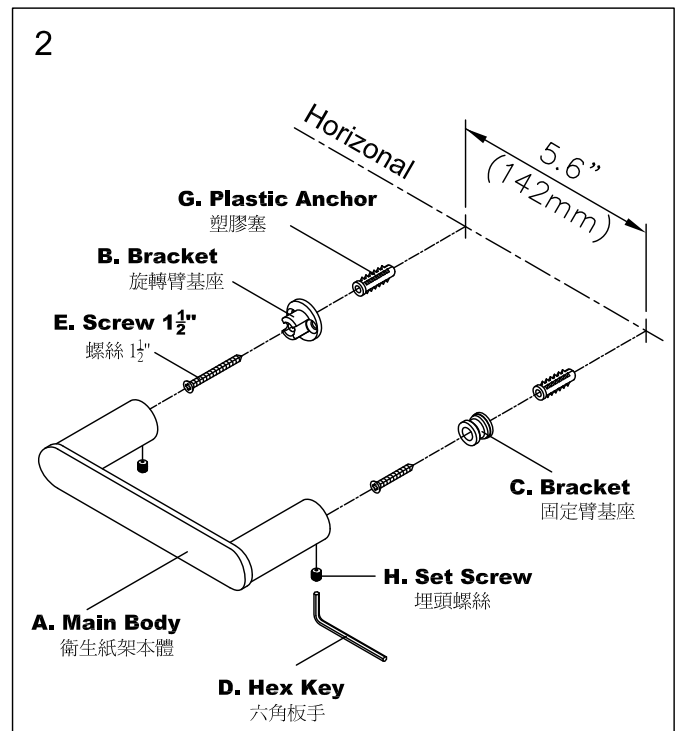
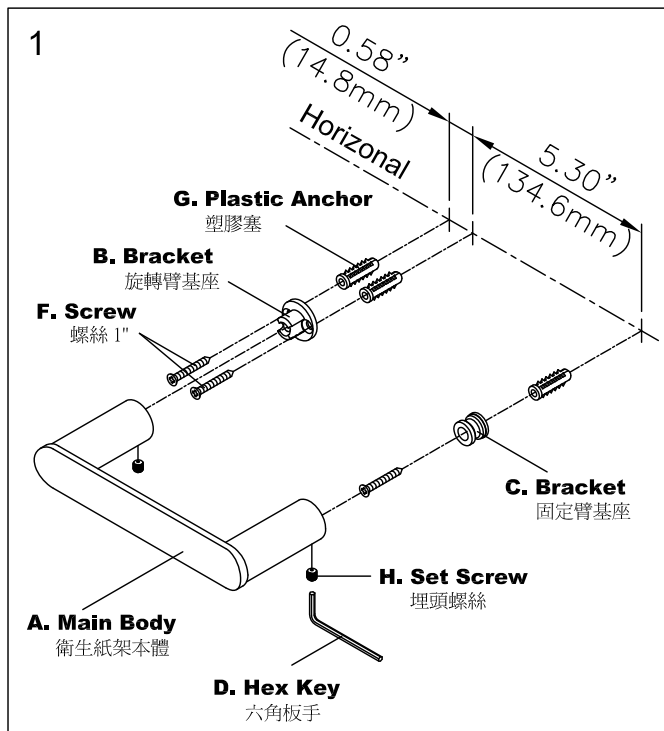
INSTALLATION INSTRUCTIONS

6922-40 Toilet Tissue Holder

衛生紙架安裝說明

PATENT NUMBER:

專利號碼:
20 2008 010 315.0
001018899-0007
001018899-0006
ZL200820125146.9
M352982



CAUTION : Risk Of Product Damage, users could choose the different installations according to varied walls and situations.

注意：為增加產品使用壽命，使用者可視安裝牆面及環境，選擇安裝方式。

1. Installing the Bracket with two Screws on smooth wall to prevent idling of bracket as using Main Body, as fig. 1 shown.
為防止旋轉臂基座在操作時，因牆面平滑而隨著旋轉，可選擇旋轉臂基座雙孔的安裝方式（見圖1）。
2. Installing the Bracket in the center hole with a Screw on frictional wall, as fig. 2 shown.
若牆面與旋轉臂基座摩擦力較大，可選擇旋轉臂基座單孔的安裝方式（見圖2）。

1. Select proper position for product and mark center of mounting hole on wall. For double **Bracket** fixing, mark centers of mounting holes by using a spirit level and refer to the actual product for distance between hole centers.

請先選取預定安裝的位置，並在牆壁上畫上預定鑽孔記號，如果要安裝雙背板基座的產品，請先確認鑽孔的位置是在同一水平線上，並以產品比對確認鑽孔的距離。

2. Using a 6mm drill-bit, drill the hole(s) in marked position(s) to a depth of 4cm. Insert the **Plastic Anchor(s)** to the hole(s) on the wall, put the **Screw(s)** through the **Bracket(s)**, then screw into the **Plastic Anchor(s)**.

當安裝在水泥牆，使用1/4英寸鑽頭，鑽孔深度4公分，插入塑膠塞並使之齊平於牆面，將固定基座以螺絲鎖緊在牆上。

3. Use the **Hex Key** to loosen the **Set Screw** in the **Main Body**. Slide the **Main Body** over the **Bracket** and tighten **Set Screw** ensuring the orientation of the **Main Body** is correct.

用隨附六角板手先鬆開本體下方的埋頭螺絲，使本體能順利套進固定基座後，再鎖緊下方的埋頭螺絲，完成安裝程序。

FIXING CONTENTS

組配件內容

