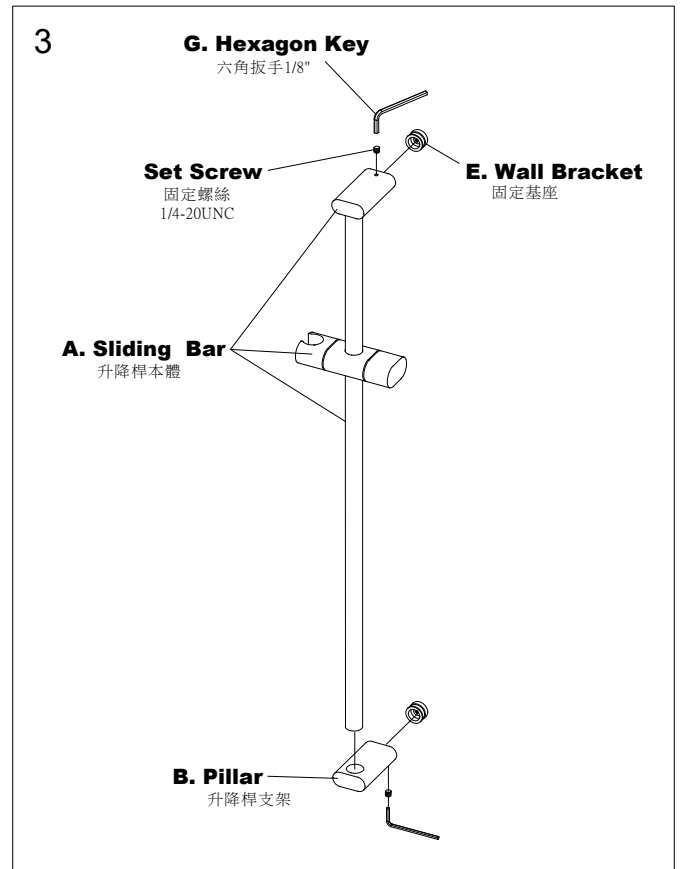
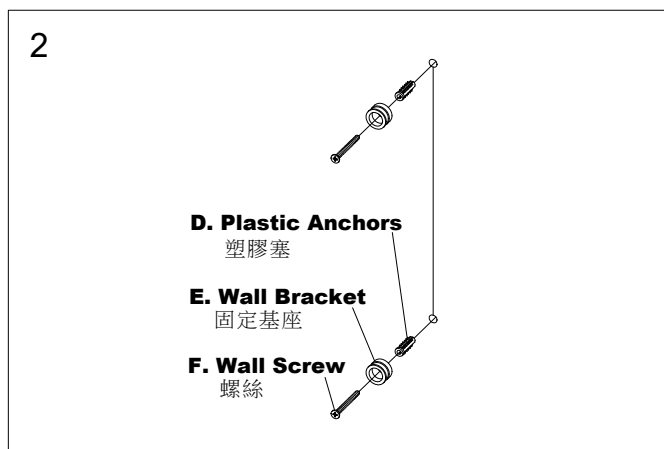
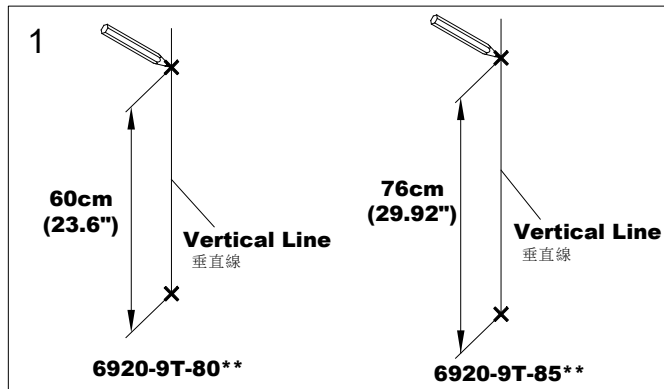


# INSTALLATION INSTRUCTIONS

PATENT NUMBER:  
專利號碼:  
ZL 2008 2 0114885. 8  
M340792

## Sliding Bar

### 手持花灑升降桿安裝說明



1. Locate two appropriate drilling centers on vertical line apart and mark with pencil as Fig.1 show. Please mind the distance according to different products.  
在垂直線段，兩點的位置，用鉛筆畫上鑽孔記號。
2. Use 6mm drilling bit to drill holes at the marked locations, insert the **Plastic Anchors** to make them be flush with wall, and fix the **Wall Brackets** on wall with **Wall Screws**.  
安裝在水泥牆使用6mm(1/4")鑽頭鑽孔，嵌入塑膠塞使之齊平於牆面。再將固定基座以螺絲鎖在牆面上。
3. Assemble the **Pillar** to the **Sliding Bar**, and fix securely the whole set to **Wall Brackets** with **Set Screws** by **Hexagon Key**.  
將升降桿本體與活動式升降桿支架組合，並套入已經鎖在牆面上的固定基座，用隨附的六角扳手，將固定螺絲鎖緊，完成安裝程序。

## FIXING CONTENTS

### 組配件內容

