

Toilet Tissue Holder W/Lid  
6920-41-80CP

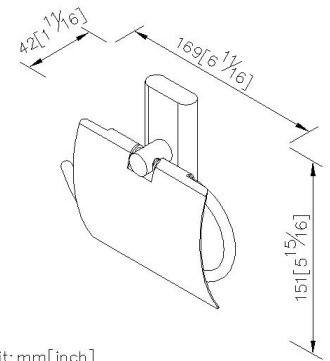
**INTRODUCTION:**

Simple and elegant design of base brings the fashion into the bathroom space. 6920 bathroom accessories present the artistic tension and show more marvelous beauty.



**DESCRIPTION:**

- 1.Brass of forging body meets JIS 3771 standard.
- 2.Brass of ring meets JIS 3604 standard.
- 3.Top lid material with stainless steel .
- 4.Chrome plated finish meets the standard of ASTM-SC2.
- 5.The pedestal could increase the stability for using.
- 6.Vertical force could support a static load of 5 Kgf.
- 7.The square pedestal of the bathroom accessories could increase the elegance for environment.
- 8.Coordinates with other products in 6920 collection.



unit: mm[inch]

**Certificaion:**

**Fixing Kits:**

- SUS 304 Stainless Steel Screws\*2
- Plastic Anchors\*2
- Material of Wall Mount Bracket: Steel with zinc plating\*1

**AWARD:**