

Hand Shower 6904-9S-82CP

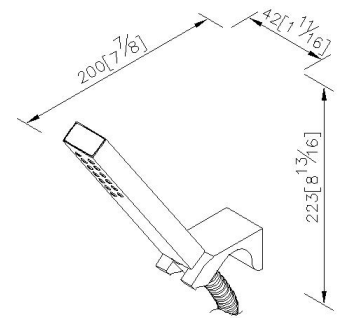
INTRODUCTION:

In the East, dragon represents honor and has auspicious meaning. Dragon Bathroom Accessories has inspired by Dragon Faucets with simple lines. Dragon Accessories could help to create unique bathing spaces for users. The appearance has combined with the function perfectly to reach the main idea of "the Form Follows Function". Accessories were molded concise shape for providing stability to users.



DESCRIPTION:

1. There is a plastic insert inside the bracket for holding the hand shower stably.
2. Elastic shower hose can be extended from 1.5 meters to 2 meters and can bear 15Kg/cm² water pressure.
3. Brass with Chrome plated finish meets ASTM-SC2 standard.
4. Forging brass body material meets JIS 3771 Standard.
5. Coordinates with other products in Dragon collection.



unit: mm[inch]

Certification:

Fixing Kits:

- 1. SUS 304 Stainless Steel Screws*2
- Hex Key 2.0mm*1
- Plastic Anchors*2
- Material of Wall Mount Bracket: Copper JIS3604*1

AWARD: