

INSTALLATION INSTRUCTIONS

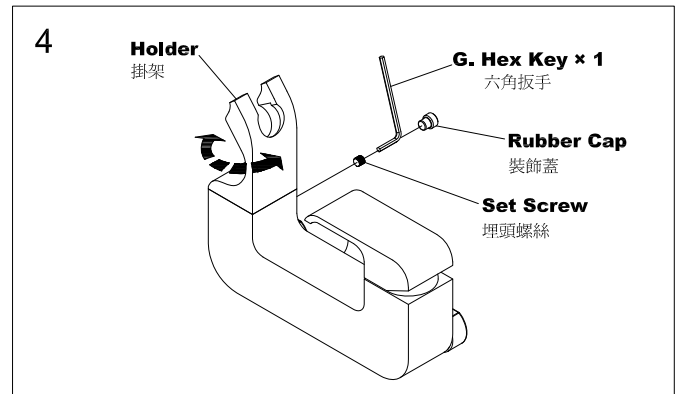
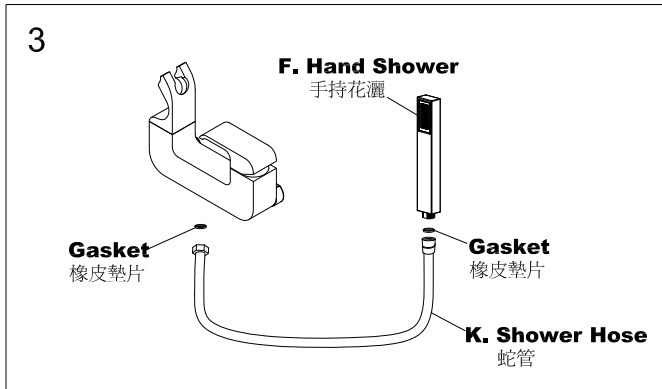
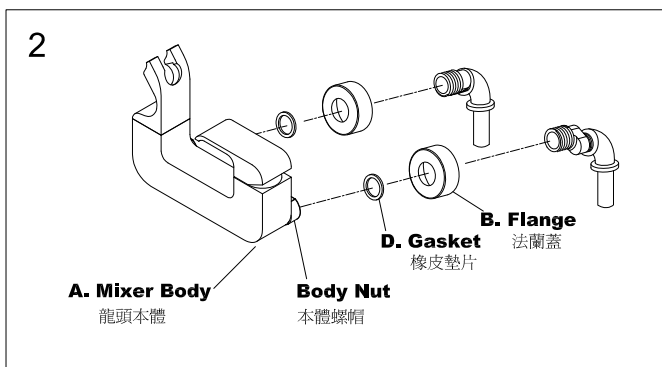
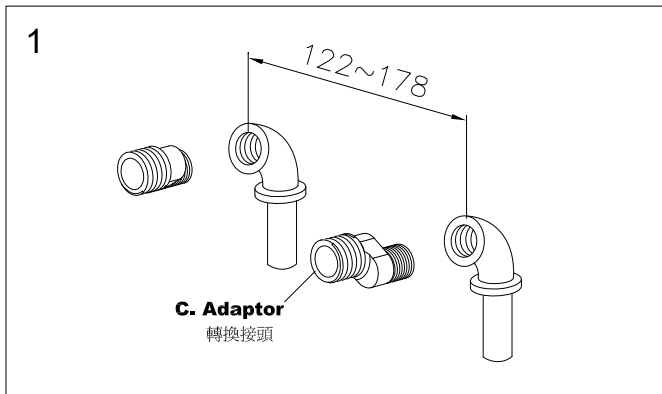
PATENT NUMBER:

專利號碼:

M371824

SHOWER MIXER

淋浴龍頭安裝說明



CAUTION : Risk Of Product Damage.

注意：為增加產品使用壽命，請依說明清潔供水管路。

When finished installation, turn the valve on and run for 1 minute before using. 完成安裝後，需在使用前先把供水開關全開排水持續一分鐘。

1. The available distance between two centers of wall water-outlet can be 122~178mm. Apply pipe compound or thread sealant tape to the thread of **Adaptor** 1/2" end, and screw it into wall water-outlet as Fig.1 shown.

凡牆壁上冷熱出水孔中心距離在122~178mm者，皆可適合安裝本產品。將轉換接頭1/2"牙塗上管牙膠或包覆止洩帶，再鎖入牆壁出水口，如 Fig.1 所示。

2. Cover **Flanges** onto both 3/4" end of **Adaptors**, then insert **Gaskets** into each body-nut and screw the body-nut onto **Adaptors** 3/4" end and tighten fixed as Fig.2 shown.

將2法蘭蓋各別裝上轉換接頭的3/4"那邊，然後將墊片各別裝入本體螺帽，並且將本體螺帽鎖在轉換接頭3/4"那邊鎖緊固定住如 Fig.2 所示。

3. Connect **Shower Hose** with gasket to **Mixer Body** and **Hand Shower** as Fig.3 shown.

將蛇管含墊片固定在龍頭本體與手持花灑，如 Fig.3 所示。

4. Remove the **Rubber cap** and use the **Hex key** loosen the **Set screw**. Rotate the **Holder** in the position you need, then lock the **Set screw** and put the **Rubber cap** back as Fig.4 shown.

取出裝飾蓋並且使用六角扳手將螺絲鬆開，旋轉花灑掛架選擇想要的方向，然後使用六角扳手將埋頭螺絲鎖緊，再蓋上裝飾蓋，如 Fig.4 所示。

FIXING CONTENTS

組配件內容

