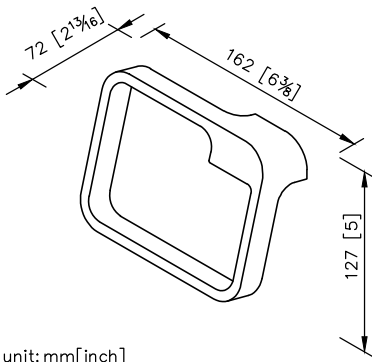
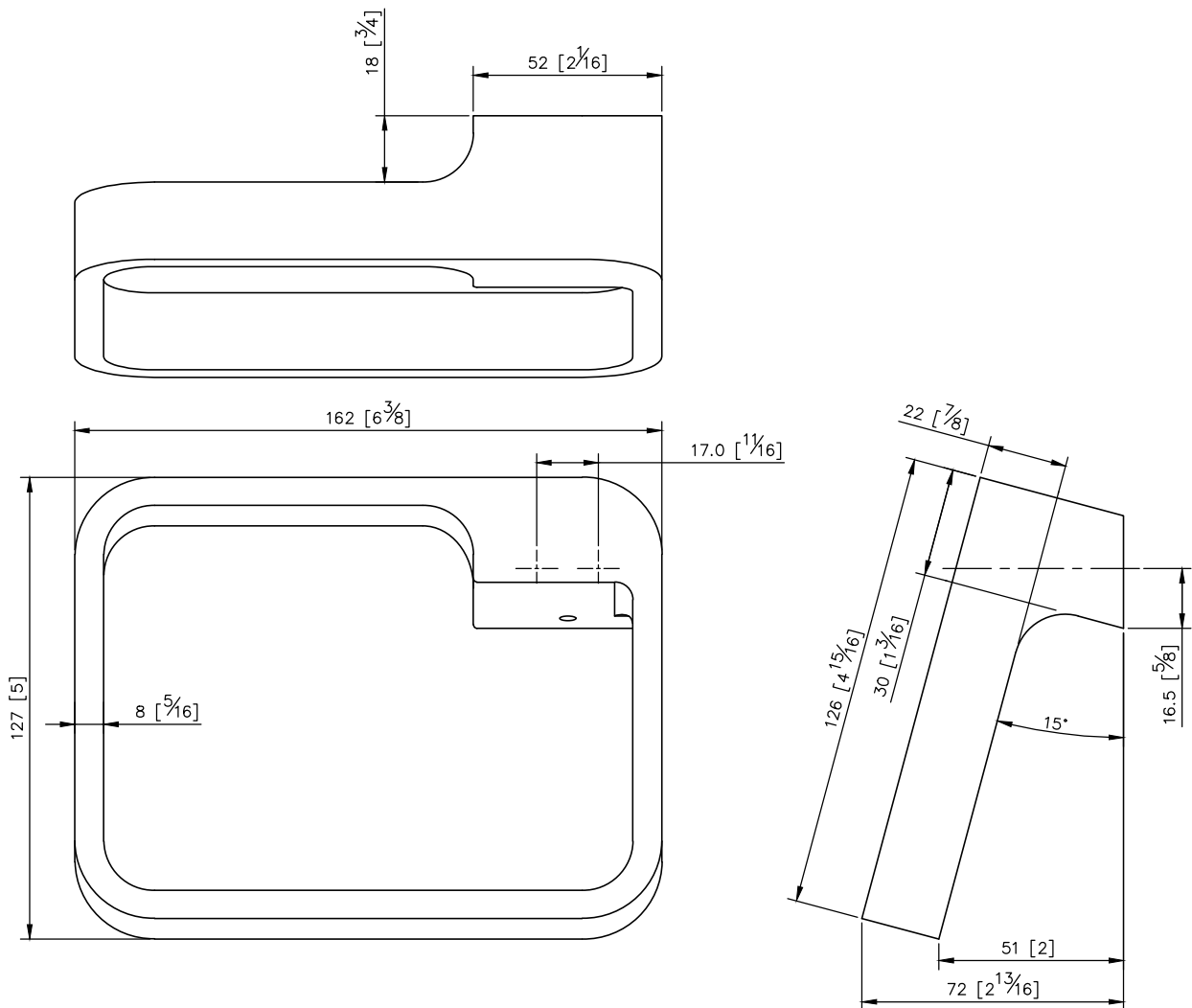


## Dragon Towel Ring 6904-60-80MA



unit: mm[inch]

1. Aluminium body meets 6061T6 standard
2. Premium metal construction for durability
3. Justime finishes resist corrosion and tarnish
4. Correctly installed product's loading is 4 kg f
5. Towel Ring has been designed with 15 degrees inclination for convenient using
6. The one-piece design could prevent the filth from accumulating and help easy cleaning as a result
7. Coordinates with other products in Dragon collection



### Mounting Template Specification

