

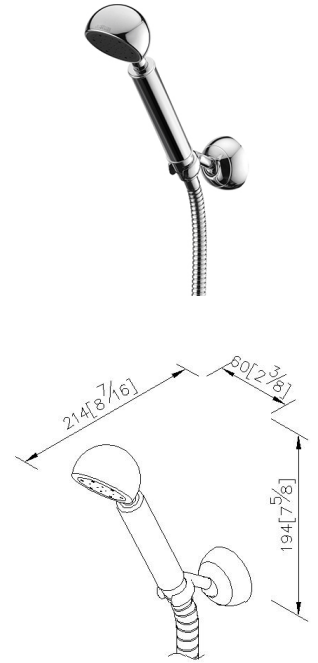
Hand Shower 6903-9S-82CP

INTRODUCTION:

The water ladle is a washing appliance from ancient time till modern day life. JUSTIME Team has integrated the water ladle image with the design concept to reproduce the tradition, regenerating the old spirit. We hope users will associate this Toilet Spray with traditional culture and life style. JUSTIME sincerely hopes the design will be popular among everyone- reminding adults of the past about the original charming and also making kids experience the beauty of traditional and modern times.

DESCRIPTION:

- 1.Brass with Chrome plated finish meets ASTM-SC2 standard.
- 2.Sand-casting material meets ISO CuZn40Pb Standard.
- 3.The spray head cover of hand shower can be removed easily by easy-tool provided for cleaning.
- 4.Elastic shower hose can be extended from 1.5 meters to 2 meters and bear 15Kg/cm2 water pressure.
- 5.Adjustable angle of the hand-shower bracket.
- 6.Coordinates with other products in Story collection.



unit: mm[inch]

Certification:

Fixing Kits:

- 1.SUS 304 Stainless Steel Screws*2
- Plastic Anchors*2

AWARD: