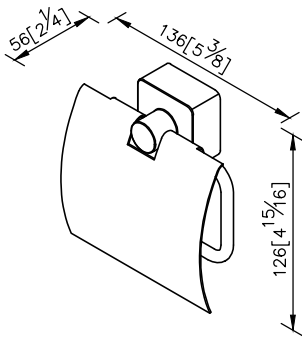
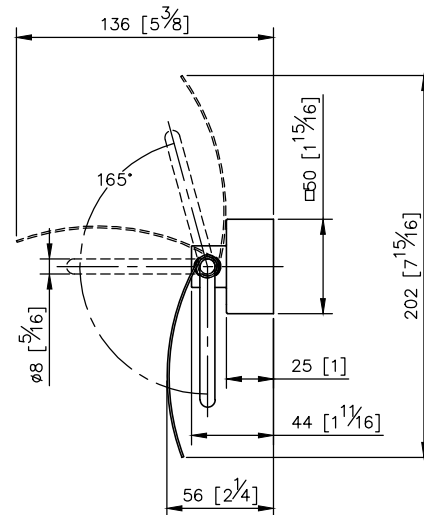
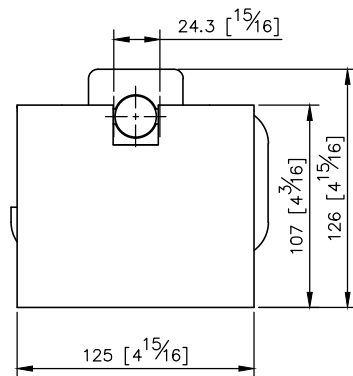
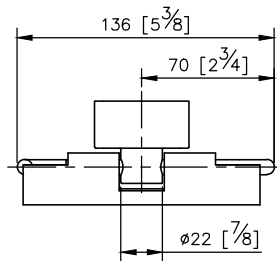


**Toilet Tissue Holder W/Lid**  
**6900-41-80CP**



- 1.Brass forging mounting base meets JIS 3771 standard.
- 2.Brass ring meets JIS 3604 standard.
- 3.Top lid material with stainless steel.
- 4.Brass with chrome plated finish meets the standard of ASTM-SC2.
- 5.Vertical force could support a static load of 5 Kgf.
- 6.Coordinates with other products in 6900 collection.

unit: mm[inch]



**Mounting Template Specification**

