

Toilet Tissue Holder W/Lid
6900-41-80CP

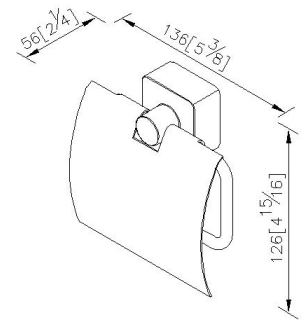
INTRODUCTION:

The thick body gives the user a sense of stability, just like "home".



DESCRIPTION:

- 1.Brass forging mounting base meets JIS 3771 standard.
- 2.Brass ring meets JIS 3604 standard.
- 3.Top lid material with stainless steel.
- 4.Brass with chrome plated finish meets the standard of ASTM-SC2.
- 5.Vertical force could support a static load of 5 Kgf.
- 6.Coordinates with other products in 6900 collection.



unit: mm[inch]

Certification:

Fixing Kits:

- SUS 304 Stainless Steel Screws*2
- Plastic Anchors*2
- Material of Wall Mount Bracket: Steel with zinc plating*1

AWARD: