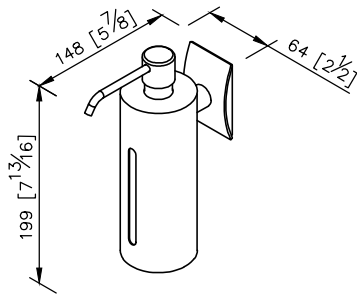
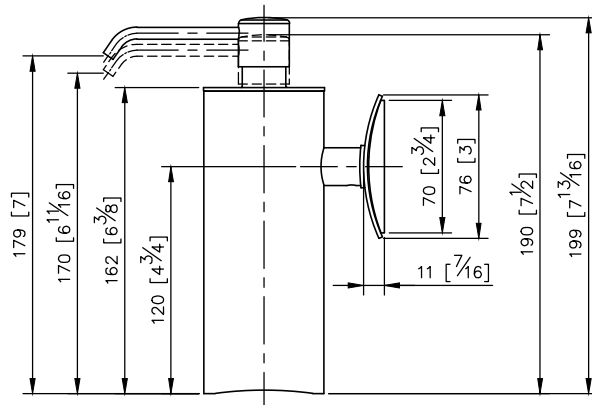
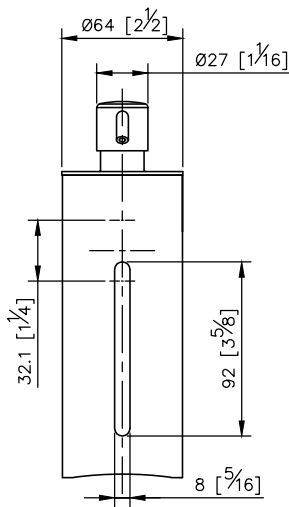
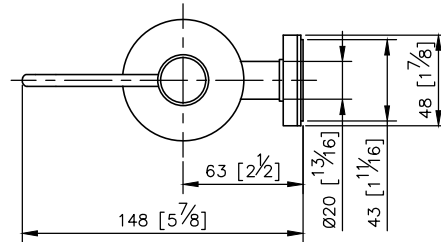


Soap Dispenser W/Front Window Slot
6899-29-80S1



1. Stainless steel soap dispenser.
2. Plastic bottle capacity: 360ml.
3. Material of holder and faceplate: Stainless Steel meets SUS 304 standard.
4. Premium metal construction for durability.
5. Justime finishes resist corrosion and tarnish.
6. Finish meets the standard of ASTM-SC2.
7. Front window on the bottle.
8. Coordinates with other products in 6899 collection.

unit: mm[inch]



Mounting Template Specification

