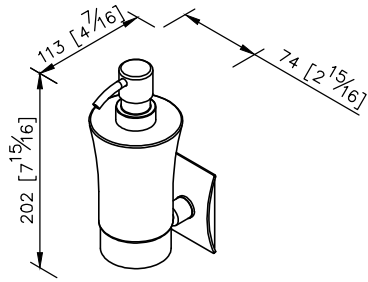


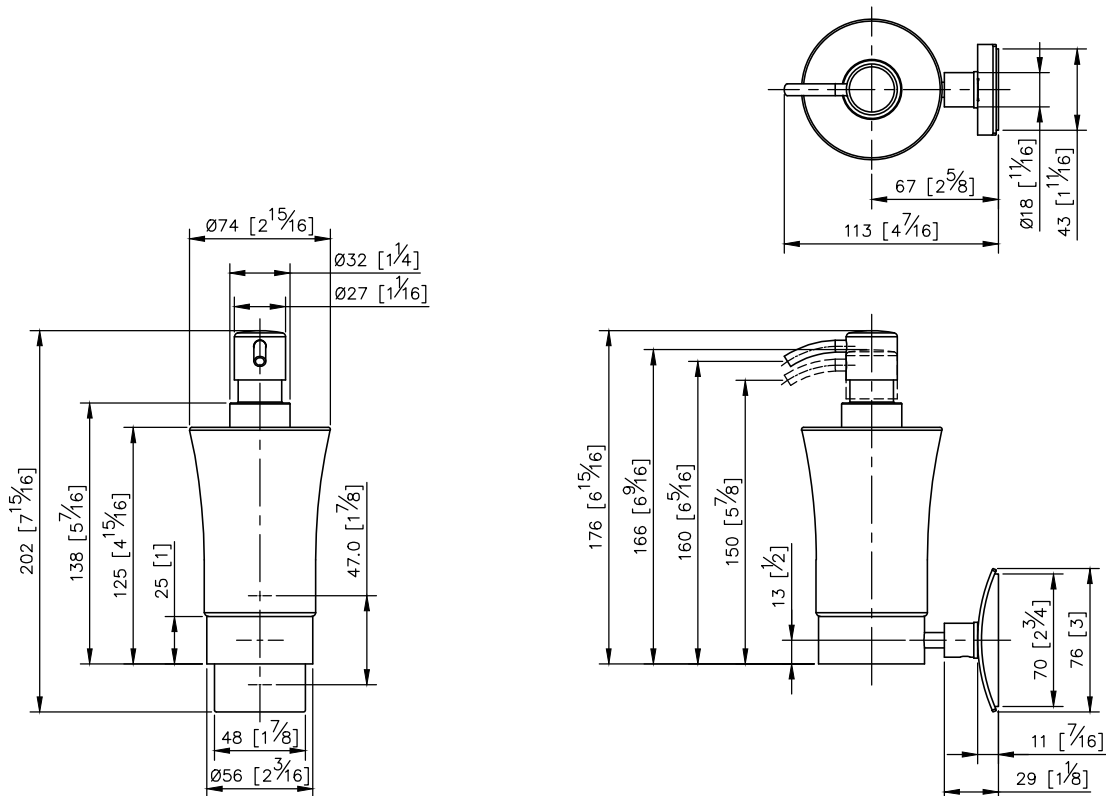
## Soap Dispenser

6899-25-80S1



1. Stainless steel faceplate and soap dispenser ring meet SUS 304 standard.
2. Plastic mounting base with brass core.
3. Porcelain white soap dispenser.
4. Capacity; 260ml.
5. Loading: 2 Kgf.
6. Premium metal construction for durability.
7. Finish meets the standard of ASTM-SC2.
8. Coordinates with other products in 6899 collection.

unit: mm[inch]



### Mounting Template Specification

