

### Robe Hook 6893-50-80SS

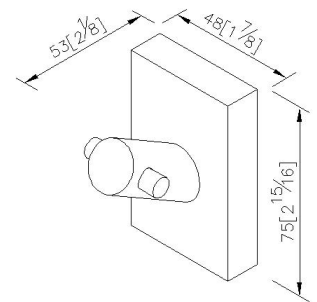
#### INTRODUCTION:

Incepted imitation of traditional brick for the main shape, the precise section and brushed surface display elegant demeanor.



#### DESCRIPTION:

- 1.Brass forging faceplate meets JIS 3771 standard.
- 2.Brass bracket meets JIS 3604 standard.
- 3.Robe hook with stainless steel meets SUS 304 standard.
- 4.Brushed Nickel with lacquer finish meets the standard of ASTM-SC2.
- 5.Vertical force could support a static load of 5 Kgf.
- 6.The brick type faceplate of the bathroom accessories increases the elegance for the environment.
- 7.Coordinates with other products in 6893 collection.



unit: mm[inch]

#### Certificaion:

#### Fixing Kits:

- 1.SUS 304 Stainless Steel Screws\*2
- Plastic Anchors\*2  
Material of Wall Mount Bracket: Steel with zinc plating\*1

#### AWARD: