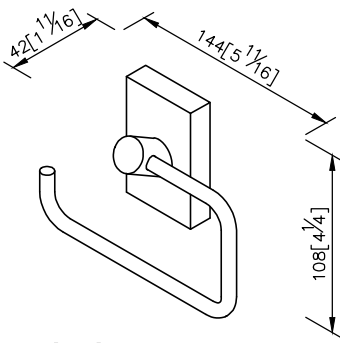
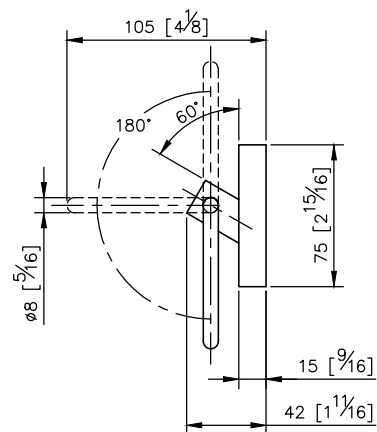
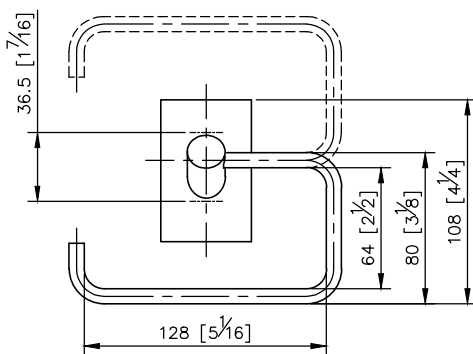
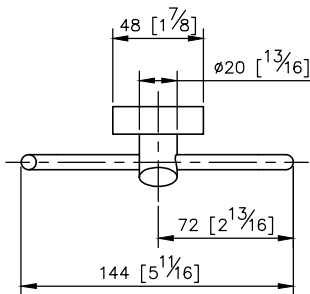


**Toilet Tissue Holder**  
**6893-40-80SS**



unit: mm[inch]

- 1.Brass forging faceplate meets JIS 3771 standard.
- 2.Brass bracket material meets JIS 3604 standard.
- 3.Toilet tissue holder ring with stainless steel meets SUS 304 standard.
- 4.Toilet tissue holder ring is with brushed finish, which is easy to maintain with a scouring pad.
- 5.Vertical force could support a static load of 5 Kgf.
- 6.The brick type faceplate of the bathroom accessories increases the elegance for the environment.
- 7.Coordinates with other products in 6893 collection.



**Mounting Template Specification**

