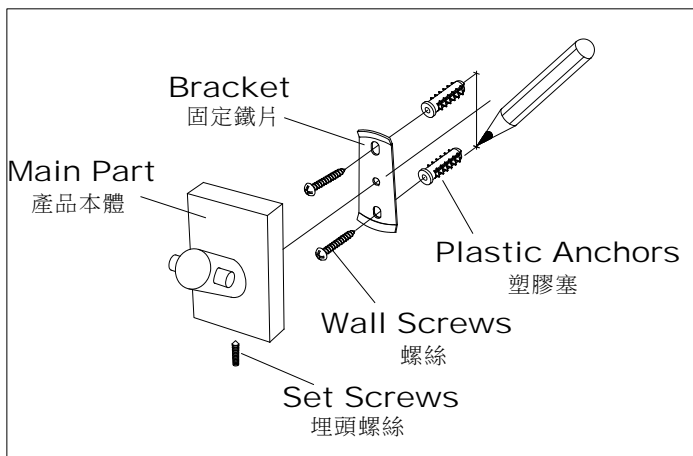


MOUNTING INSTRUCTIONS

6893 安裝說明

- 1.) Use Bracket as template to locate appropriate drilling centers with pencil.
使用固定鐵片和鉛筆在預定鑽孔的位置,畫上記號。
- 2.) Use 6mm drilling bit to drill holes in your marked locations, when mounting on drywall, insert Plastic Anchors.
當安裝在水泥牆,使用1/4英寸鑽頭,鑽孔深度4公分,嵌入塑膠塞並使之齊平於牆面。
- 3.) Attach Bracket to wall with Wall Screws.
將固定鐵片以螺絲鎖在牆面上。
- 4.) Locate the Main Part on the Bracket and secure with Set Screw.
在固定鐵片上面掛住產品本體,並以螺絲起子由下方鎖緊埋頭螺絲,完成安裝程序。



6893
SERIES:

