

Soap Dispenser 6880-25-80CP

INTRODUCTION:

Cylinder is widely applied to both oriental and western architectures as columns, so people would have an impression of great reliability on the cylindrical objects. Inserting this concept into our products, we have created elegant bathroom brasswares that are highly durable. Translucent glass bottle coordinates the visual impression, creating aesthetics. The dispenser steadily locates on the holder, making sure the operation safety.

DESCRIPTION:

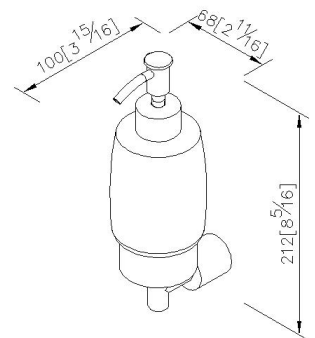
- 1.Brass of forging mounting base and bracket meet JIS 3771 standard.
- 2.Brass cylinder meets JIS 3604 standard.
- 3.Justime finishes resist corrosion and tarnish.
- 4.Chrome plated finish meets the standard of ASTM-SC2.
- 5.Vertical force could support a static load of 2 Kgf.
- 6.Frosted glass soap dispenser. Capacity: 240ml.
- 7.1.5cc for each dispense.
- 8.Coordinates with other products in 6880 collection.

Certification:

Fixing Kits:

- SUS 304 Stainless Steel Screws *2
- Hex Key 1/8" *1
- Plastic Anchors *2

AWARD:



unit: mm[inch]