

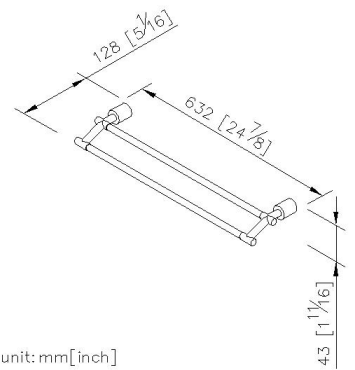
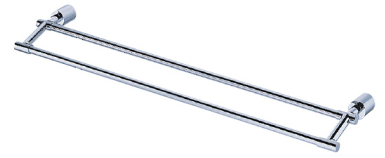
Double Towel Bar 6880-14-80CP

INTRODUCTION:

Cylinder is widely applied to both oriental and western architectures as columns, so people would have an impression of great reliability on the cylindrical objects. Inserting this concept into our products, we have created elegant bathroom brasswares that are highly durable. The towel bar provides double hanging space and makes it easier with smooth touching texture on the surface.

DESCRIPTION:

- 1.Brass of forging mounting base and brackets meet JIS 3771 standard.
- 2.Brass cylinders meet JIS 3604 standard.
- 3.Stainless steel towel bars meet SUS 304 standard.
- 4.Justime finishes resist corrosion and tarnish.
- 5.Chrome plated finish meets the standard of ASTM-SC2.
- 6.Vertical force could support a static load of 4 Kgf.
- 7.Coordinates with other products in 6880 collection.



Certificaion:

Fixing Kits:

- SUS 304 Stainless Steel Screws *4
- Hex Key 1/8" *1
- Plastic Anchors *4

AWARD: