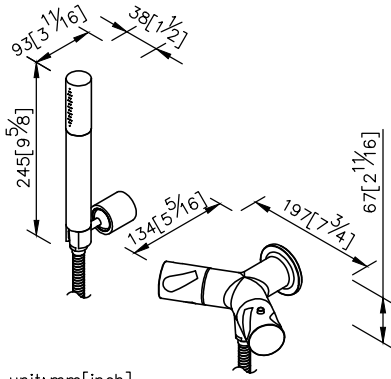


### Thermostatic Shower Mixer 6875-JT-81CP

1. Brass material of body meets JIS 3771 standard.
2. Safety control button stops at 40°C water temperature.
3. Water flow rate is controlled by cartridge.
4. With replaceable check valve both behind hot and cold water 1/2" inlet.
5. Chrome plated finish meets the standard of ASTM-SC2.
6. Material of inner valve is Lead-Free Brass C46400.
7. With hand shower and bracket.
8. Coordinates with other products in Yes 2 collection.



unit: mm[inch]

