

Thermostatic Shower Mixer
6875-JT-81CP

INTRODUCTION:

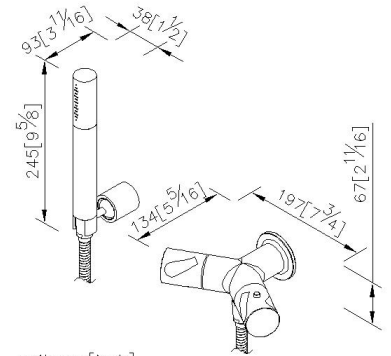
YES series is designed with brief lines and geometric cylinder to simplify the outer shape and present the absolute image.

The YES 2 series is developed with more strict standards than the YES series to examine the consistency of products and design concepts. Concealed waterway module replaces traditional elbow high-pressure pipes and other structures, greatly reducing the appearance of seams and plastic gaskets, etc., to achieve a simpler and cleaner appearance.



DESCRIPTION:

1. Brass material of body meets JIS 3771 standard.
2. Safety control button stops at 40°C water temperature.
3. Water flow rate is controlled by cartridge.
4. With replaceable check valve both behind hot and cold water 1/2" inlet.
5. Chrome plated finish meets the standard of ASTM-SC2.
6. Material of inner valve is Lead-Free Brass C46400.
7. With hand shower and bracket.
8. Coordinates with other products in Yes 2 collection.



unit: mm[inch]

Certification:

Fixing Kits:

- 1. SUS 304 Stainless Steel Screws*2
- Plastic Anchors*2
- Material of Wall Mount Bracket: Plastic*1

AWARD:

