

Towel Bar 6863-10-80SV

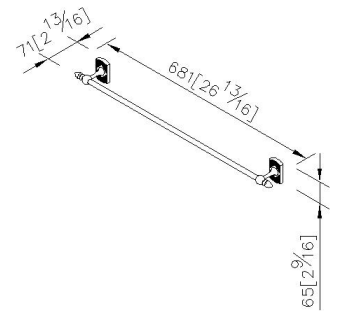
INTRODUCTION:

The base had been modeled with ancient shield and halberd shape, the unique style leaving endless imagination, and make people feel like being in the gorgeous European-style palace.



DESCRIPTION:

- 1.Brass of forging body meets JIS 3771 standard.
- 2.Premium metal construction for durability.
- 3.Justime finishes resist corrosion and tarnish.
- 4.Finish meets the standard of ASTM-SC2.
- 5.Correctly installed product's loading is 5 kgf.
- 6.Coordinates with other products in 6863 collection.



Certification:

unit: mm[inch]

Fixing Kits:

1. SUS 304 Stainless Steel Screws *4
2. Plastic Anchors *4
3. Material of Wall Mount Bracket: Stainless Steel (SUS 304) *2

AWARD: