

Toilet Tissue Holder W/Lid  
6858-41-80CP

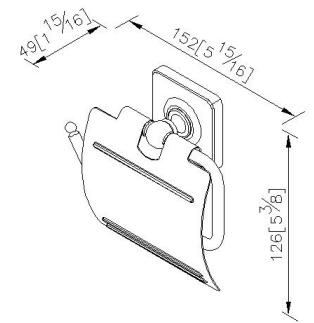
**INTRODUCTION:**

The overall had designed with square and round shape, the smooth square base set off texture of metallic metallicity, which created perfect coordination with circle line.



**DESCRIPTION:**

- 1.Brass meets JIS 3604 standard.
- 2.Premium metal construction for durability.
- 3.Justime finishes resist corrosion and tarnish.
- 4.Finish meets the standard of ASTM-SC2.
- 5.Correctly installed product's loading is 5 kgf.
- 6.Coordinates with other products in Timeless Collection.



unit:mm[inch]

**Certification:**

**Fixing Kits:**

- SUS 304 Stainless Steel Screws x2
- Plastic Anchors x2
- Material of Wall Mount Bracket: Steel with zinc plating x1

**AWARD:**