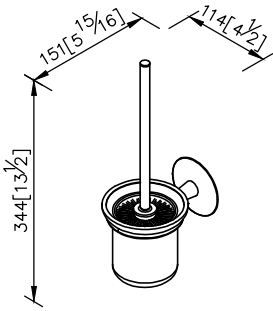
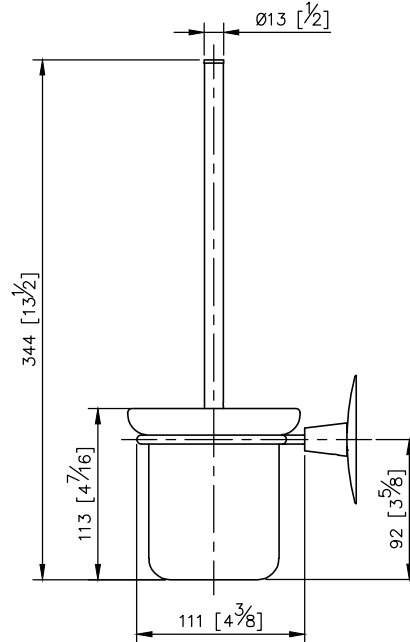
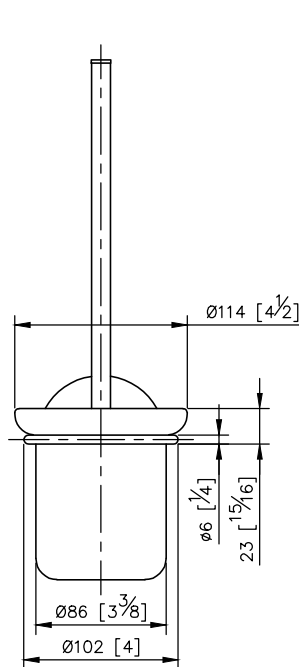
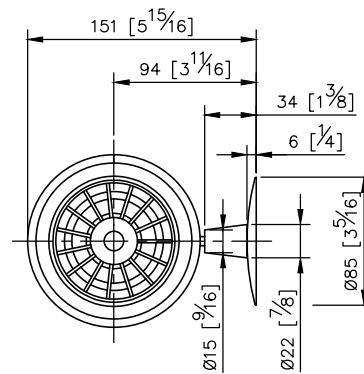


Toilet Brush Holder
6827-80-81CP

- 1.Brass with chrome-plated.
- 2.SC2 standard of ASTM.
- 3.Frosted glass brush holder.
- 4.Brush with stainless steel nail.
- 5.Standard size of brush.
- 6.Loading: 2 kgf.
- 7.Coordinates with other products in Moonbow collection.



unit: mm[inch]



Mounting Template Specification

