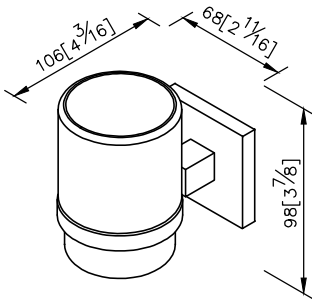
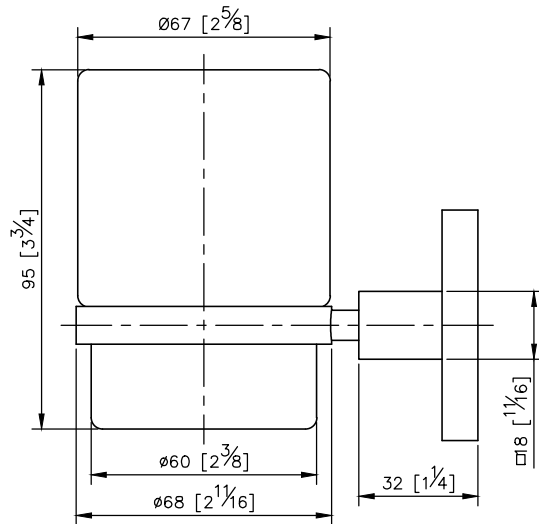
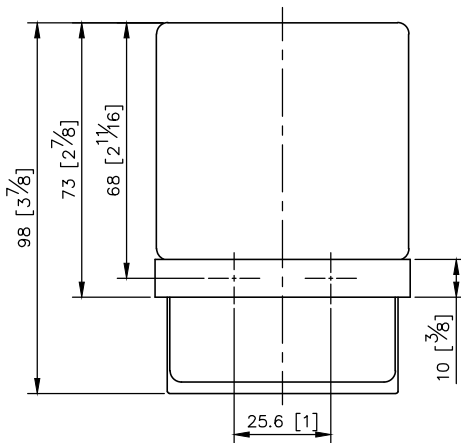
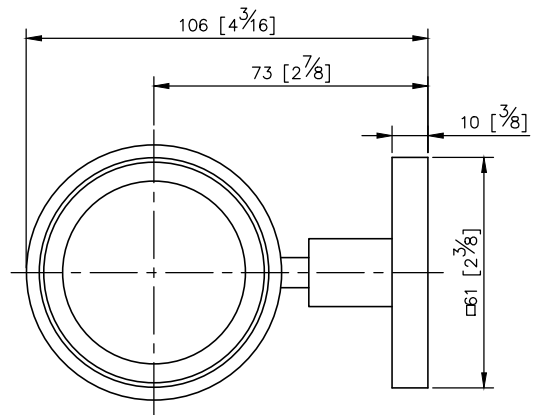


Tumbler Holder
6818-30-80CP



unit: mm[inch]

1. Brass of body meets JIS 3604 standard
2. Premium metal construction for durability
3. Justime finishes resist corrosion and tarnish
4. Finish meets the standard of ASTM-SC2.
5. The simply design concept could be collocated with diverse space
6. Correctly installed product's loading is 2 kg f
7. Frosted glass tumbler
8. Capacity: 180ml
9. Coordinates with other products in Boulevard collection



Mounting Template Specification

