

Bath Towel Rack W/Rail  
6817-66-80CP

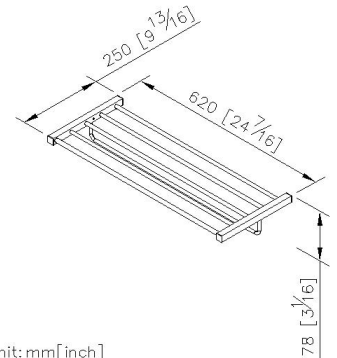
**INTRODUCTION:**

The main body had been designed with lovable elongate square shape, it demonstrate the neat esthetic sensibilities.



**DESCRIPTION:**

- 1.Brass of sand-casting body meets JIS 3604 standard
- 2.Premium metal construction for durability
- 3.Justime finishes resist corrosion and tarnish
- 4.Finish meets the standard of ASTM-SC2
- 5.Correctly installed product's loading is 5 kg f
- 6.Coordinates with other products in Cubic Collection



**Certificaion:**

**Fixing Kits:**

- 1.SUS 304 Stainless Steel Screws \*2
- Hex Key 1/8" \*1  
Plastic Anchors \*2  
Material of Wall Mount Bracket: Copper JIS3604 \*2

**AWARD:**