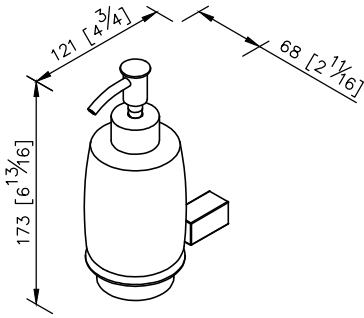


Soap Dispenser
6817-25-80CP



1. Frosted glass soap dispenser
2. Brass of sand-casting body meets JIS 3604 standard
3. Premium metal construction for durability
4. Justime finishes resist corrosion and tarnish
5. Finish meets the standard of ASTM-SC2
6. Correctly installed product's loading is 2 kg f
7. Capacity: 240ml
8. Coordinates with other products in Cubic Collection

unit: mm[inch]

