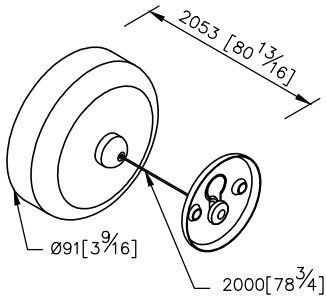


**Clothes Line W/Hook (2M)**  
**6810-68-80CP**

- 1.High Quality Stainless Steel1 meets JIS 3771 standard
- 2.Premium metal construction for durability
- 3.Justime finishes resist corrosion and tarnish
- 4.The simply design concept could be collocated with diverse space
- 5.Clothesline material: 2M nylon cord.
- 6.Coordinates with other products in 6810 collection



unit: mm[inch]

