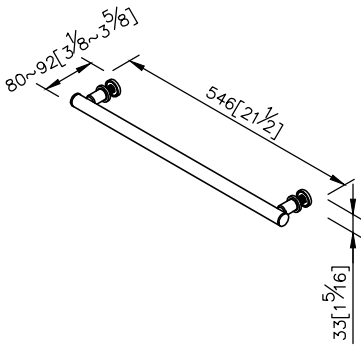


**Door Handle**  
**6807-D1-80CP**

1. Brass with chrome-plated standard of ASTM-SC2.
2. The handle is especially designed for the glass, it could provide the steadier when using.



unit: mm[inch]

