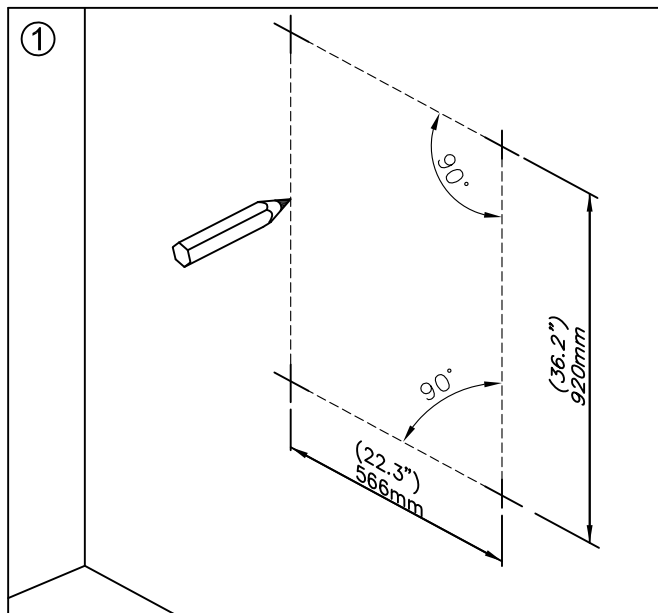


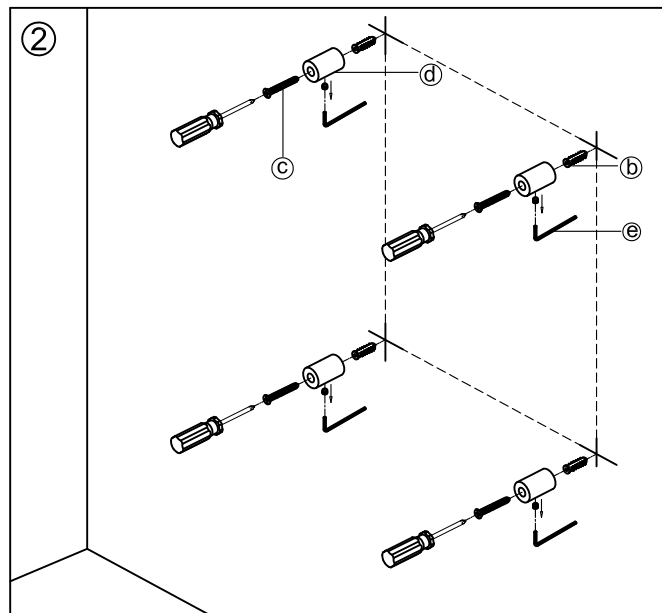
INSTALLATION GUIDE

Ladder Towel Holder 多層毛巾架安裝說明



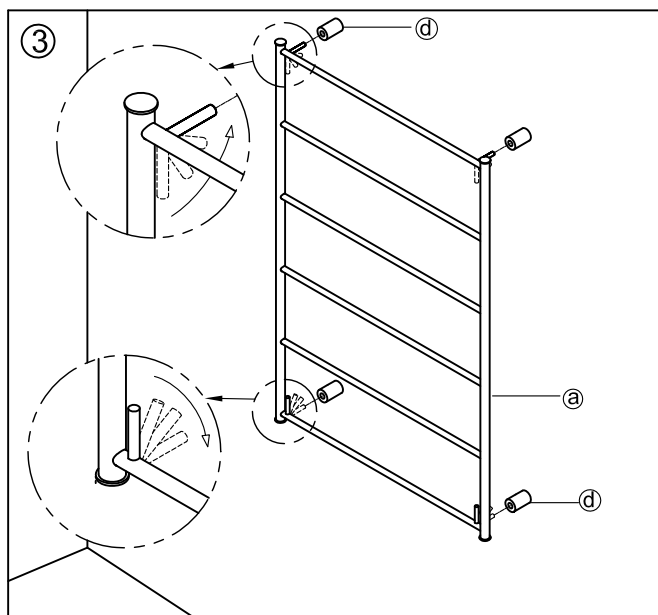
Mark 4 drill hole locations with a pencil on appropriate height position as shown in figure #1.

如圖1所示,在適當的高度用鉛筆在四個鑽孔的位置作記號。



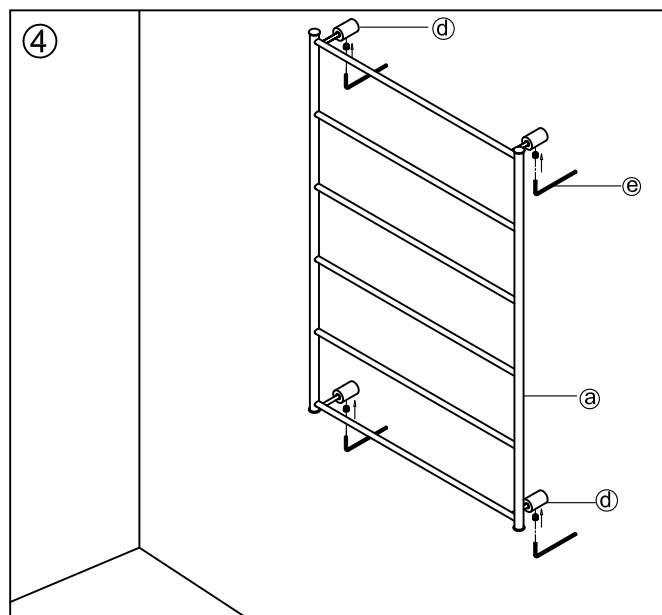
Loosen the **Set Screw** with **Hex-Key** then Drill fixing holes and installs 4 **Brackets** in positions.

先用六角板手將埋頭螺絲鬆掉然後鑽好安裝的孔並且裝入塑膠套筒再用不銹鋼木螺絲將四個支架固定住。



Twist pillars square to the wall and insert them into the **Brackets** as shown in figure #3.

如圖3所示,將柱子轉成與牆面垂直並且裝入支架。



Tighten all **Set Screws** with **Hex-Key**.

用六角板手將所有埋頭螺絲鎖緊。

FIXING CONTENTS

組配件內容

