

Still One

Towel Ring 6806-60-80S1

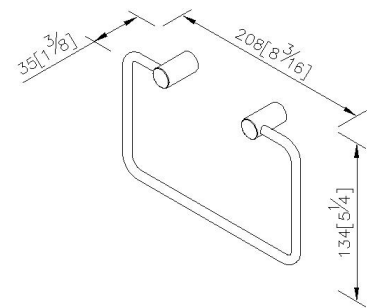
INTRODUCTION:

The compact brushed base was designed with column shape, staggered lines disseminate a real sense of stability.



DESCRIPTION:

1. Stainless Steel body meets SUS 304 standard.
2. Premium metal construction for durability.
3. Justime finishes resist corrosion and tarnish.
4. The simply design concept could be collocated with diverse space.
5. Correctly installed product's loading is 4 kgf.
6. Coordinates with other products in 6806 collection.



unit: mm[inch]

Certification:

Fixing Kits:

- 1. Hex Key 1/8" *1
- Plastic Anchors *2
- Material of Wall Mount Bracket: Copper JIS3604 *2
- Zinc Coated Bolt *2

AWARD: