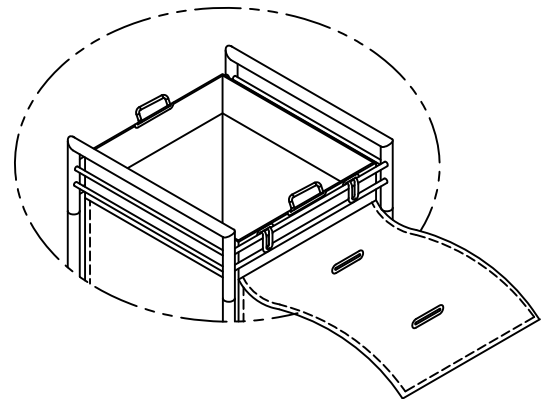


INSTALLATION GUIDE

LAUNDRY HAMPER

髒衣籃安裝說明

1. Screw 4 **Bolts** into **Top Frame**, then hand tighten **Bolts**.
將4支牙條鎖緊固定於上框架。
2. Slide 4 **Stainless Steel Tubes** sleeve onto 4 **Bolts**, and then place **Foot Frame** over each **Bolt** as shown in figure #2.
將4支不銹鋼管套過牙條，與下框座組合。
3. Tighten 4 **Nuts** onto end of **Bolts** for firm the metal rack enough to stand, then screw **Adjustable Pedestal w/ O-ring** onto each end of **Bolt**, adjust level.
先將4顆螺帽鎖緊固定於牙條上，再鎖上可調節的下座支撐套，依現場需要調整下座支撐套，使金屬框架站穩。
4. Fit up the **Laundry Bag** into metal rack-stand.
將髒衣袋放進金屬框架裡，即完成安裝程序。



FIXING CONTENTS

組配件內容

