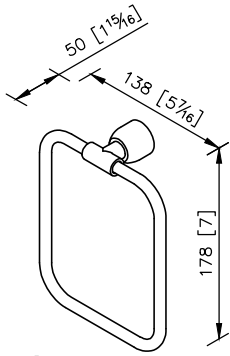
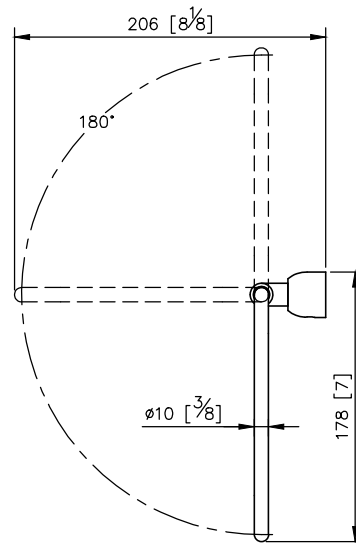
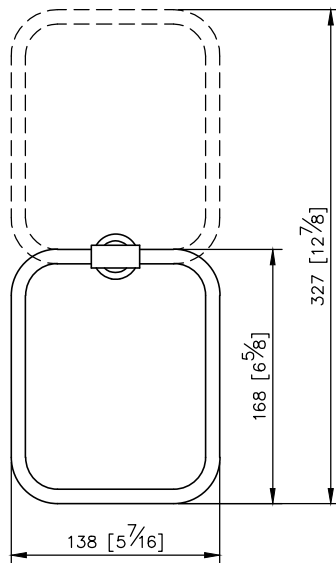
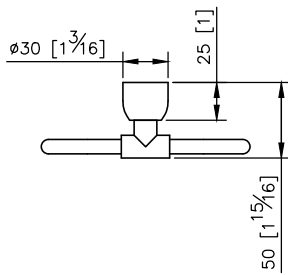


**Towel Ring**  
**6804-60-80SS**



unit: mm[inch]

- 1.High Quality Brass.
- 2.Premium metal construction for durability.
- 3.Justime finishes resist corrosion and tarnish.
- 4.Finish meets the standard of ASTM-SC2.
- 5.The cone plinth of the bathroom accessories could increase the elegance for environment.
- 6.Finished: Brushed Nickel with Lacquer, which is not easy to leave fingerprints on the surface.
- 7.Correctly installed product's loading is 4 kgf.



**Mounting Template Specification**

