

Freestanding Cotton Wool Pot  
6781-45-80CP

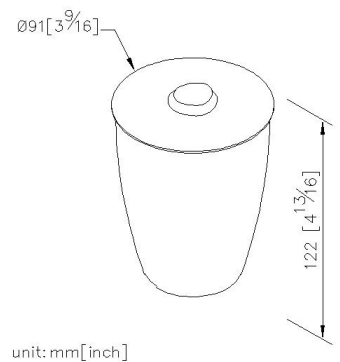
**INTRODUCTION:**

Ether Freestanding Bathroom Accessory Set has been inspired by the image of the cloud, where we represented it with a curved surface, polished chrome finish, and transparent containers to bring the fantastic refraction of bathroom lightings.

JUSTIME Ether accessories benefit every single user with a combination of excellent quality, precise workmanship, innovation and beautiful shapes. The overall design concept is based on the idea of ether - an unlimited medium filling all space. Smooth lines and soft characteristics signify the aura of ether, which moves like an ever-present ocean current. The unique design of ETHER breaks traditional ideals and established shapes, bringing this freestanding cotton wool pot to a new artistic level.

**DESCRIPTION:**

- 1.Brass of forging body meets JIS 3771 standard.
- 2.Premium metal construction for durability.
- 3.Justime finishes resist corrosion and tarnish.
- 4.Finish meets the standard of ASTM-SC2.
- 5.Curved shape and smooth surface help to reduce water stains.
- 6.Transparent glass.
- 7.Capacity: 340ml.
- 8.Coordinates with other products in Ether collection.



**Certification:**

**Fixing Kits:**

- 1.N/A

**AWARD:**

