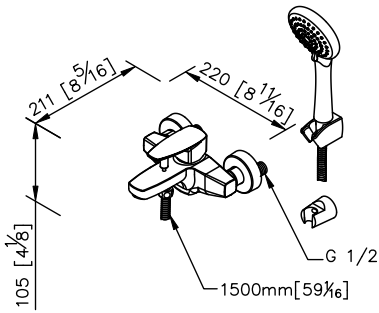


**Bath/Shower Faucet**  
**6779-94-82CP**



1. Ceramic valve with KOREA ceramic disc.
2. Handle can be moved up to 25° to adjust water flow from closed position, hot and cold water controlled by swinging handle for 45° both right and left sides.
3. The available distance between two centers of wall water-outlet is 122mm to 178mm.
4. Thread of water supply wall outlet fits for G 1/2, R 1/2, 1/2 PT, 1/2 NPSM and 1/2 NPT.
5. Sand-casting material meets ISO CuZn40Pb Standard.
6. Handle material meets JIS 3771 Standard.
7. Brass with Chrome plated meets ASTM-SC2 standard; 5 years guarantee.

unit: mm[inch]

