

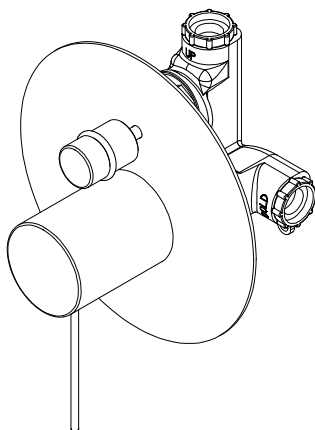
INSTALLATION INSTRUCTIONS

Single-Handle Concealed Valve

壁式單把雙控閥體安裝說明

Applicable Product Number:

適用產品型號:



6777-XW-80CP

CARE & CLEANING

清潔與保養

CAUTION : This product might be damaged by improper installation, acid cleaning solution, misuse, improper care and cleaning.

1. Always follow the INSTALLATION INSTRUCTIONS provided and use extreme care while installing.
2. Do not use acid cleaning solution or abrasive cleaner (Ex: Hydrochloric acid or toothpaste); test your cleaning solution on an inconspicuous area before applying to the entire surface.
3. Wipe surfaces clean and rinse completely with water immediately after applying cleaner. Do not soak with cleaners. Rinse and dry any overspray that lands on nearby surfaces.
4. Use a dampened sponge or cloth to clean surface. (Do not use abrasive material such as brush or scouring pad.)

注意：此產品有可能因為不當安裝，誤用酸性清潔劑或清潔方式不正確而造成產品受損。

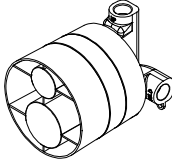
1. 產品安裝時必須依照產品所附的安裝說明和操作方式安裝。
2. 不可使用含有酸性或具研磨效果的清潔劑清洗（例如：鹽酸、牙膏），請先在產品較不顯眼的地方測試您的清潔方法，然後再應用到整個表面。
3. 產品塗佈清潔劑後，應立即擦拭除污，用清水沖洗，並擦乾產品和檯面。切勿讓清潔劑在產品表面浸濕潤漬過久。
4. 請使用濕海綿或乾淨棉布擦拭產品表面。（不可使用會刮傷或具研磨材質的刷子及鋼刷）。

FIXING CONTENTS

組配件內容

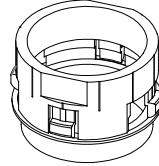
A. Valve Body X 1 (with Sealing Cover)

牆壁內本體(含保護套筒)



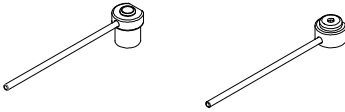
B. Handle Base x 1

把手座



C. Lever X 2

把手桿



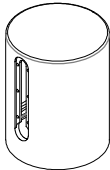
D. Phillips Button Head Screw X 1

十字螺絲



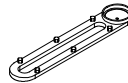
E. Handle X 1

把手蓋



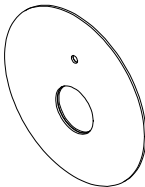
F. Decorative Cover X 1

裝飾蓋



G. Faceplate X 1

面板



H. Adaptor X 1

拉桿接頭

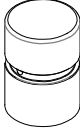


FIXING CONTENTS

組配件內容

I. Diverter Knob X 1

拉桿頭



J. Set Screw X 4

固定螺絲



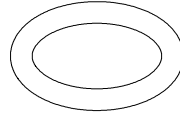
K. Hex Key X 1

六角扳手 (1.5mm)



L. O-Ring X 1

O-Ring



Inside Pipe Arrangement

管路示意圖

NOTICE

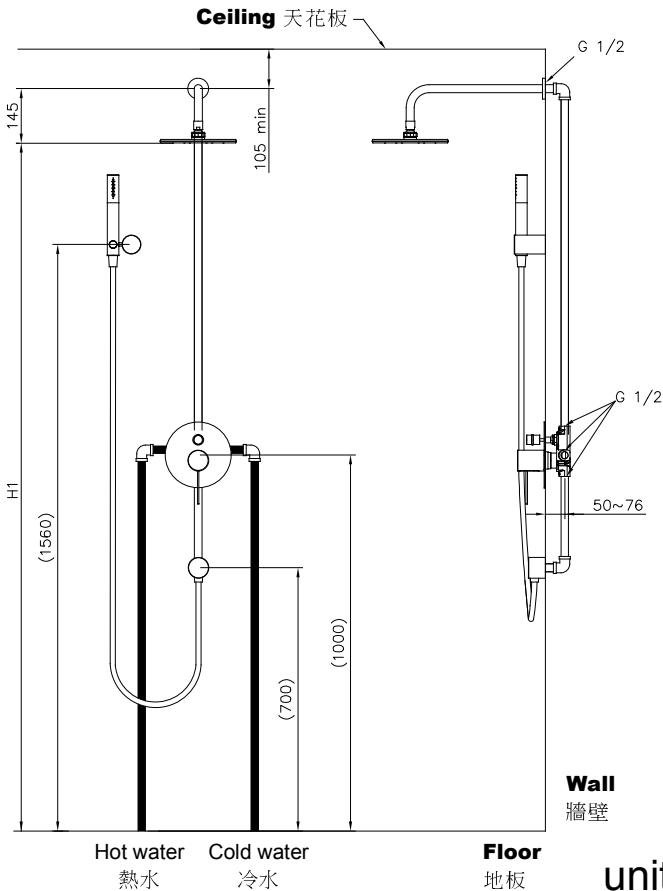
Suggested height of Rain Shower (H1) could be 200mm higher than the highest user.

Size in the parentheses is only for reference, please help to adjust the height to suit for independent situation.

※注意

花灑頭高度(H1)，建議以最高使用者身高加200mm。

()內之尺寸請依使用者之使用高度做調整，以下尺寸僅供參考。



Inside Pipe Arrangement

管路示意圖

NOTICE

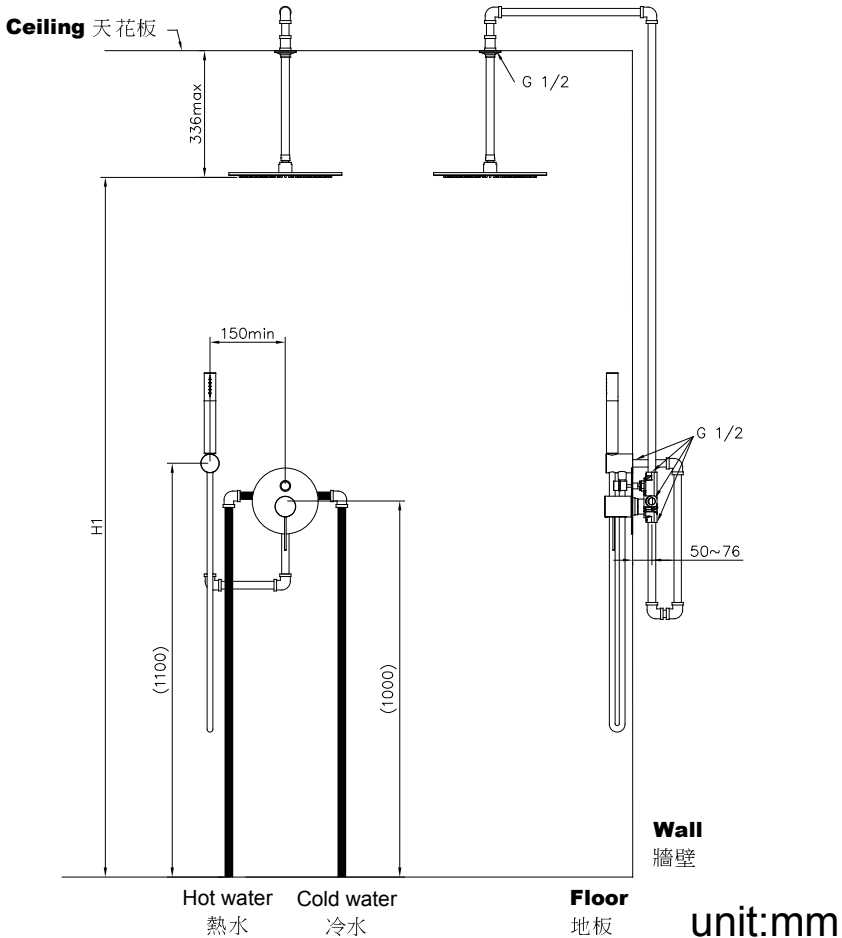
Suggested height of Rain Shower (H1) could be 200mm higher than the highest user.

Size in the parentheses is only for reference, please help to adjust the height to suit for independent situation.

※注意

花灑頭高度(H1)，建議以最高使用者身高加200mm。

()內之尺寸請依使用者之使用高度做調整，以下尺寸僅供參考。



INSTALLATION NOTE

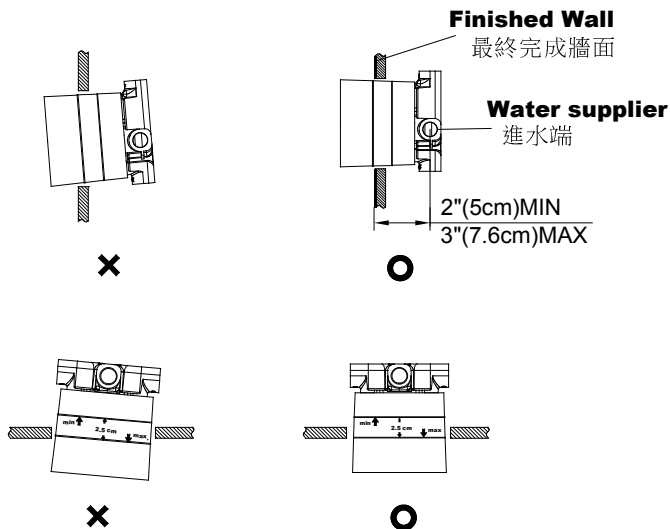
安裝注意事項

⚠ CAUTION : Please read the following point carefully before Installation.

1. Keep the **Valve Body** faces horizontal and parallel to the wall that will be finished.
2. Connect hot and cold supplies pipes to the valve body, so they are between 2"(5cm) minimum and 3"(7.6cm) maximum from the finished wall; or keep the distance be 0.4" (1.1cm) to 1.5" (3.7cm) between top of cartridge and **Finished Wall** for necessary conditions.

⚠ 注意：安裝前，請詳閱下列注意事項。

1. 本產品安裝固定閥體於牆壁內側時，閥體需與牆壁保持平行。
2. 進水管中心與最終完成牆面的距離須保持在最小2"(5cm)到最大3"(7.6cm)之間，或陶瓷中心栓與最終完成牆面保持在最小0.4"(1.1cm)到最大1.5"(3.7cm)。



INSTALLATION NOTE

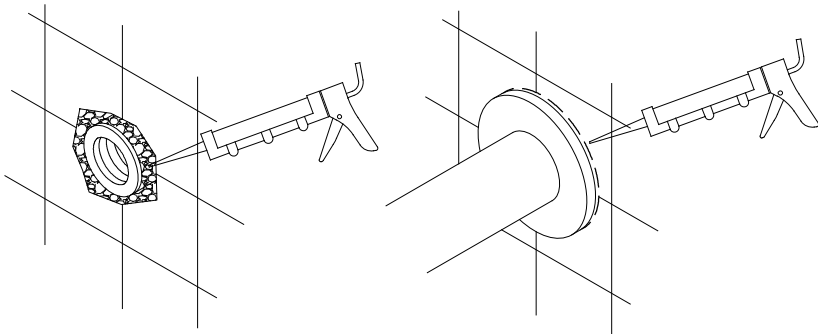
安裝注意事項

⚠ CAUTION : Concealed products need to be waterproof for the gap between the outlet of pipe and opening of wall/floor to prevent water flowing into the gap.

1. Caulk the gap with sealant or silicone.
2. Or seal the edge of decorative faceplate or cover with silicone
3. If the wall/floor is not flat or the gap of tile is big, please help to fill the gap with gap filler or caulking sealant to make decorative faceplate or cover be flat, and then seal the edge of decorative faceplate or cover to be waterproof.

⚠ 注意：壁式產品需在牆壁開孔周圍做好防水，避免水沿著牆壁開孔流入牆壁內側。

1. 在出水管與牆壁之間間隙加入填縫劑或矽利康。
2. 或者用矽利康在牆壁裝飾蓋的周圍做封邊。
3. 若牆壁不平整或磁磚縫隙過大，需用填縫劑將縫隙填平，使面蓋可貼齊牆壁，達到止水效果。



⚠ CAUTION : Precent the risk of product damage.

1. When finished installation, turn the valve on and run water for 1 minute to remove any debris before using.

⚠ 注意：為增加產品使用壽命，請依說明清潔供水管路。

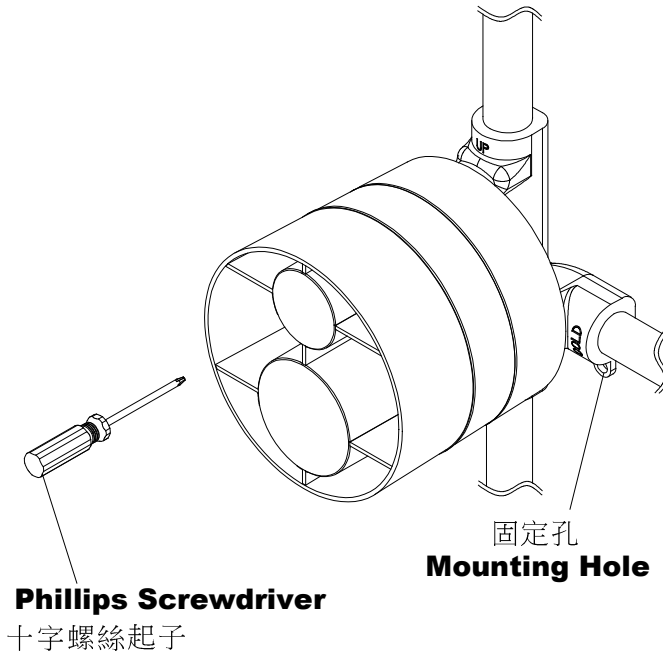
1. 完成安裝後，需在使用前先把供水開關全開排水持續一分鐘，去除雜質，以保持管路清潔。

INSTALLATION INSTRUCTIONS

安裝說明

Check Sealing Cover

檢查保護套筒



- * Use **Sealing Cover** to protect the cartridge and thread until install **Faceplate & Handle** .

在安裝面板及把手前請全程使用保護套筒保護陶瓷中心栓與螺絲。

- * Use **Phillips Screwdriver** to ensure the Screws have been tightened .

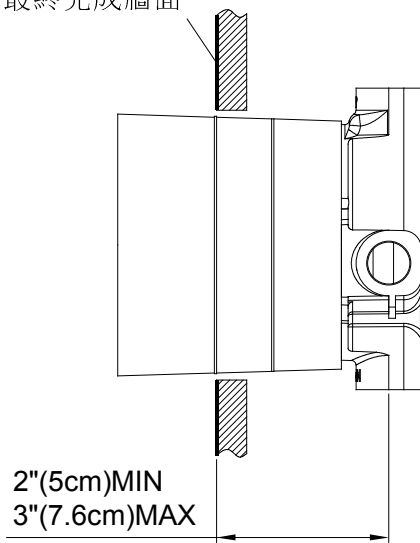
使用十字螺絲起子確認螺絲是否有鎖緊。

Connect Water Pipes

連接水路

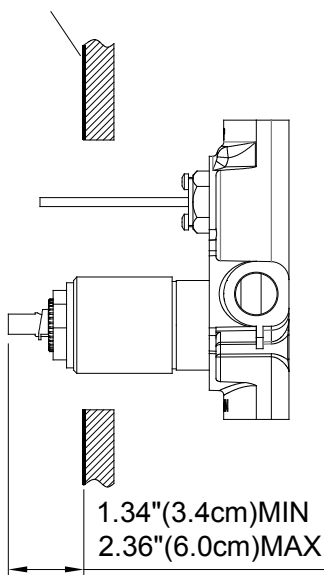
Finished Wall

最終完成牆面



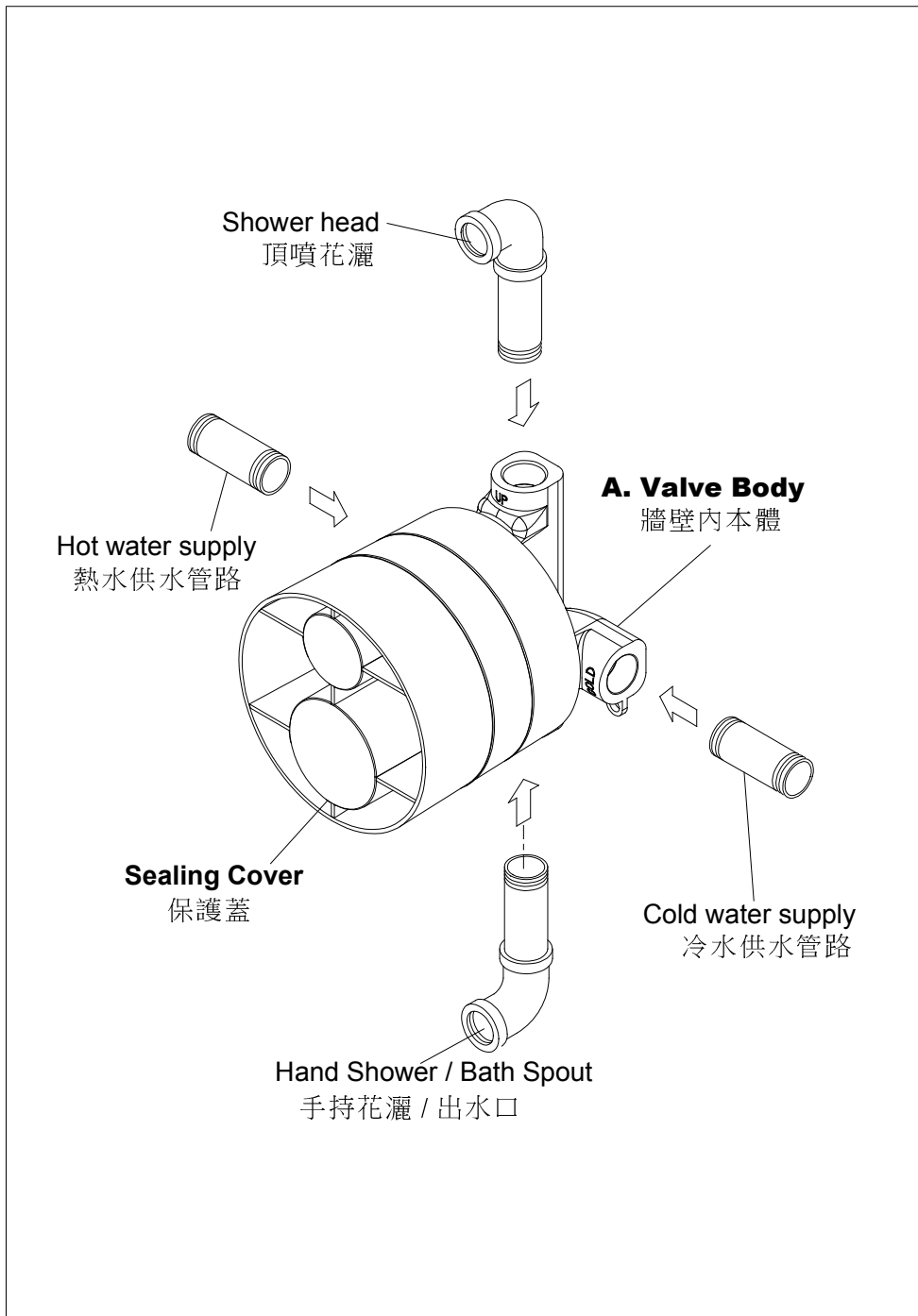
Finished Wall

最終完成牆面



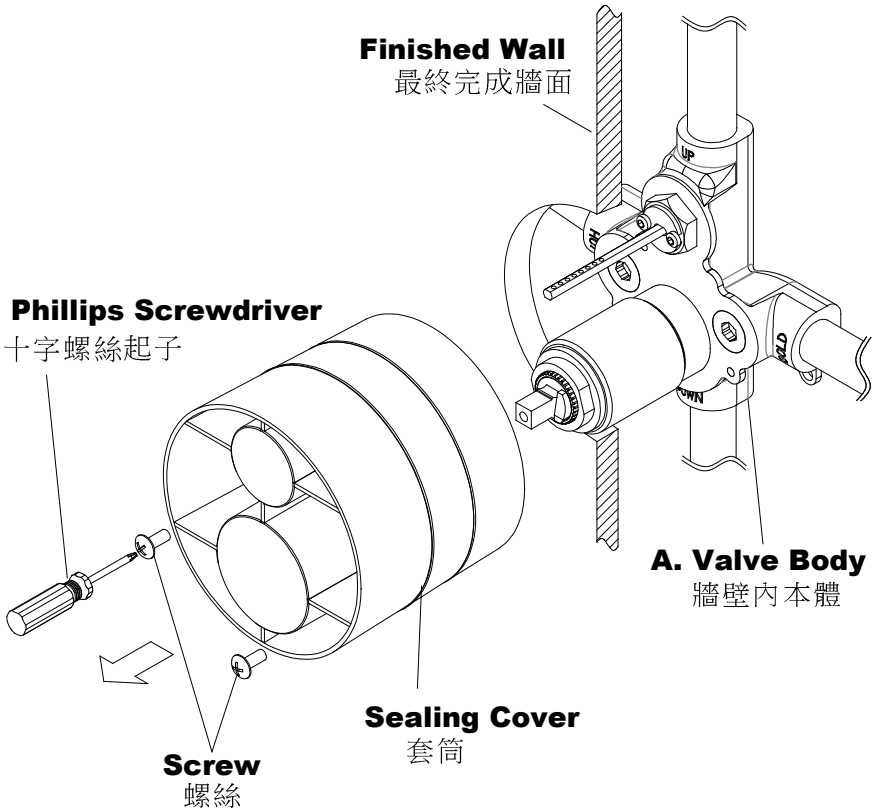
- * Connect hot and cold supply pipes to the valve body and meantime install outlet water ways, and keep the distance between 2"(5cm) minimum and 3"(7.6cm) maximum from the finished wall to the valve body; or keep the distance be 1.34"(3.4cm) to 2.36"(6.0cm) between top of cartridge and **Finished Wall** for necessary conditions.

安裝牆壁內本體時需預留的牆壁厚度，牆壁內本體與最終完成牆面的距離須保持在最小2"(5cm)到最大3"(7.6cm)之間，或陶瓷中心栓與最終完成牆面保持在最小1.34"(3.4cm)到最大2.36"(6.0cm)，此為安裝必要條件。



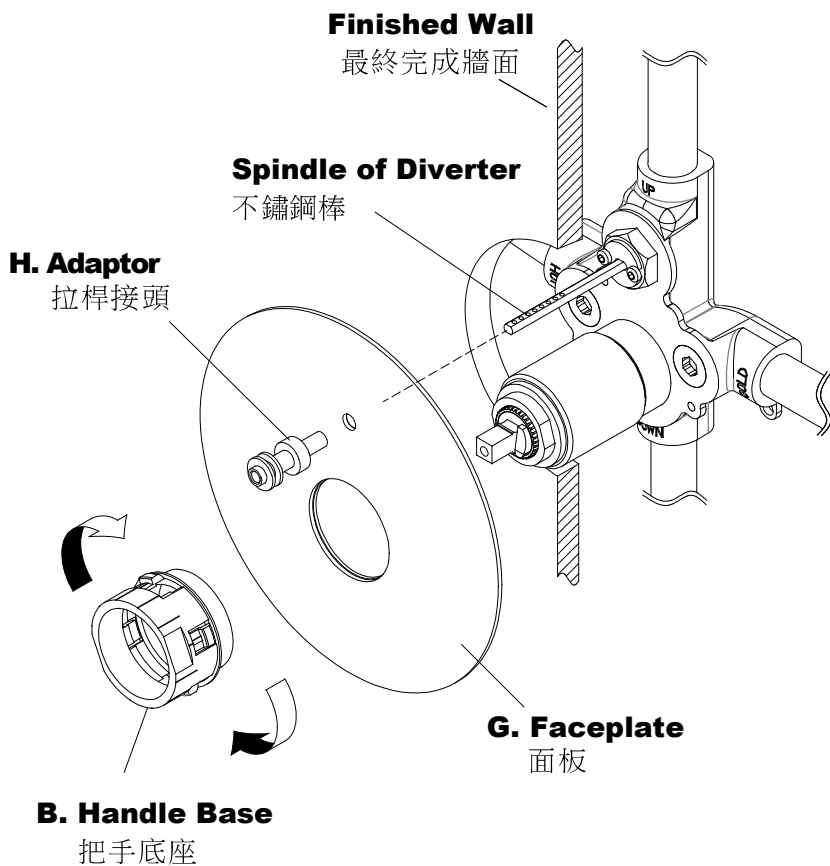
Install Faceplate & Diverter

面板與切換器安裝



* Carefully remove the **Sealing Cover** by removing two **Screws**.

使用十字起子取下固定螺絲*2處，將保護蓋抽出。



* Insert the **Faceplate**. Slide the **Adaptor** onto the **Spindle of Diverter**. Make sure the **Adaptor** can slide smoothly. Insert the **Handle Base** and tighten it.

將面板穿過不鏽鋼棒和閥芯後貼合於牆面，把拉桿接頭穿過不鏽鋼棒，確認拉桿接頭可順暢操作後，再將把手底座依順時針方向旋轉鎖入牆內閥體固定。

Aim the holes of Adaptor and Spindle of Diverter, and then fix Set Screw into Spindle till button.

尺寸固定後將鎖入螺絲並穿過不鏽鋼棒的圓孔固定

Make sure the distance "L" is at least 7mm.

拉桿頭底面須離面板至少7.0mm

K. Hex Key

六角扳手 (1.5mm)

J. Set Screw

固定螺絲

* Make sure the distance "L" is at least 7mm. Adjust **Adaptor** to proper position, aim the holes of **Adaptor** and **Spindle of Diverter**, and then fix **Set Screw** into Spindle till button.

拉桿接頭底面距離面板至少7.0mm，調整到適當距離後，鎖入螺絲並穿過不鏽鋼棒上的洞固定。

Line up the diverter knob with
the adaptor

拉桿頭與接頭底部齊平

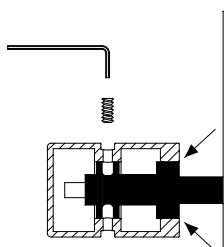


Figure 1

K. Hex Key

六角扳手 (1.5mm)



J. Set Screw

固定螺絲



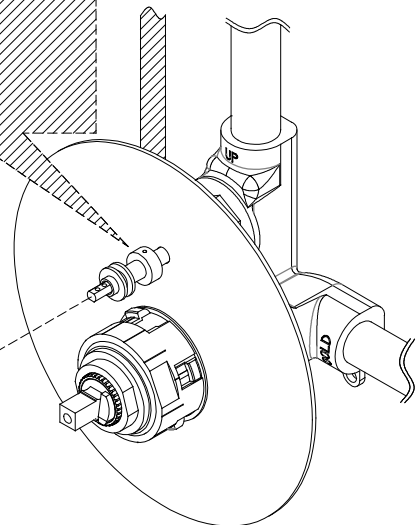
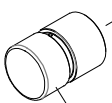
L. O-Ring(Orange Color)

橘色O-Ring



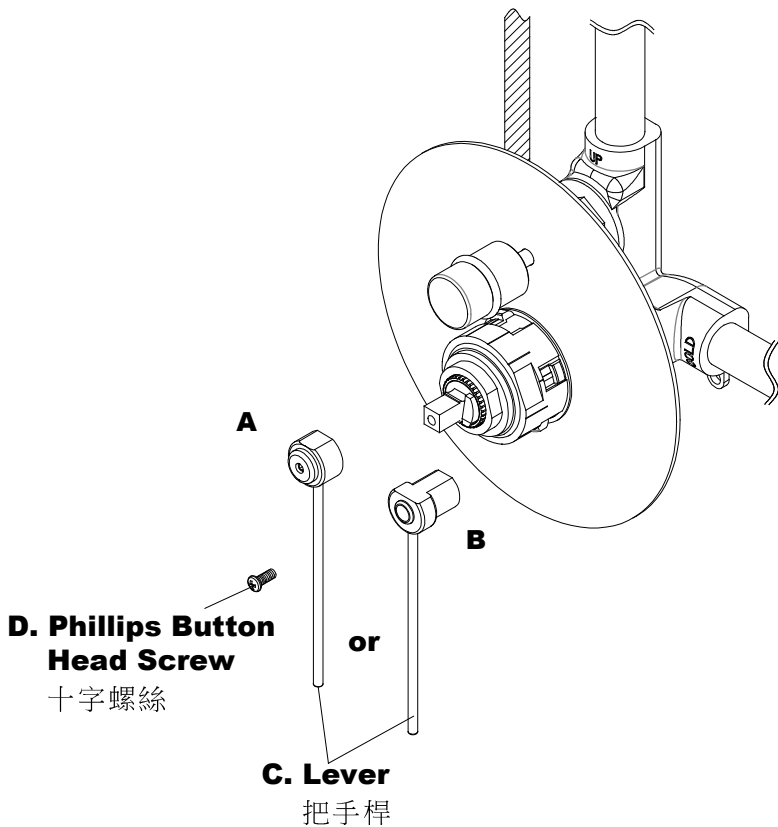
I. Diverter Knob

拉桿頭



* Slide the **Diverter Knob** onto the **Adaptor**. Line up the **Diverter Knob** with the **Adaptor** as shown on the figure 1. Use the **Set Screw** to secure knob's position. Put the **O-Ring** on the knob's body.

將拉桿頭套入接頭，底面齊平後鎖入螺絲，再將橘色o-ring套入溝槽中即可。

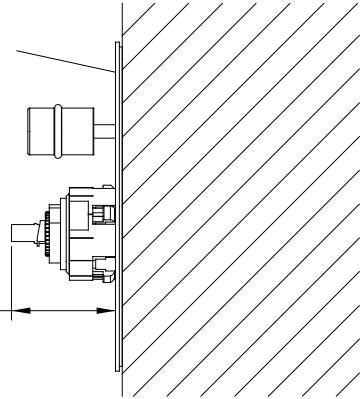


* Select the right **Lever**. Slide the lever onto the cartridges stem. Tighten it with the **Screw**. P.15 will explain how to select the right **Lever**.

選擇適用的把手桿，套入閥芯前端的四方柱後再以螺絲鎖緊固定。請參考P.15的教學，選擇適當的把手桿。

Faceplate
面板

Distance from Faceplate
凸出距離 "L"



1.5"(3.8cm)

1.2"(3.0cm)

}

}

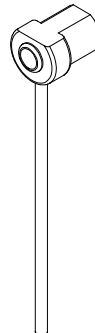
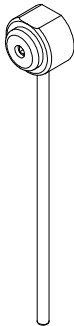
2.2"(5.6cm)

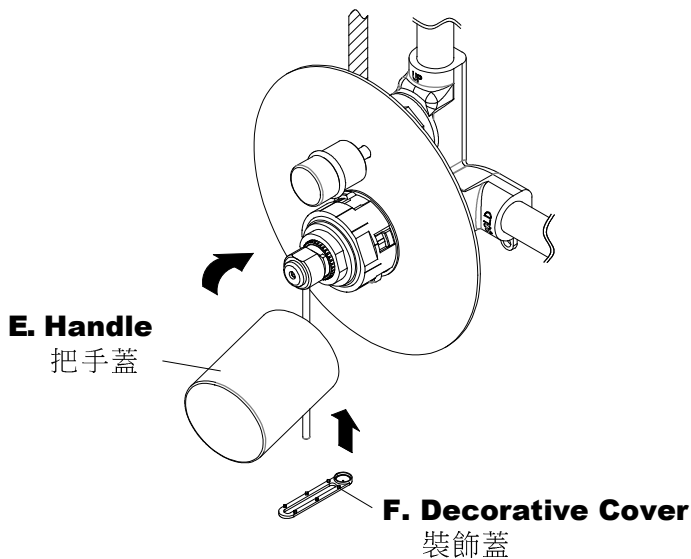
1.5"(3.8cm)



Lever (A)
把手桿 (短)

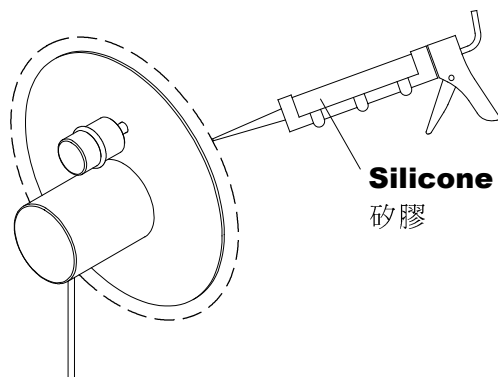
Lever (B)
把手桿 (長)





* Insert the lever through a hole in the **Handle**. Then fix the **Handle** and the **Decorative Cover**.

將把手蓋穿過把手桿後套入底座，蓋上裝飾蓋即可。

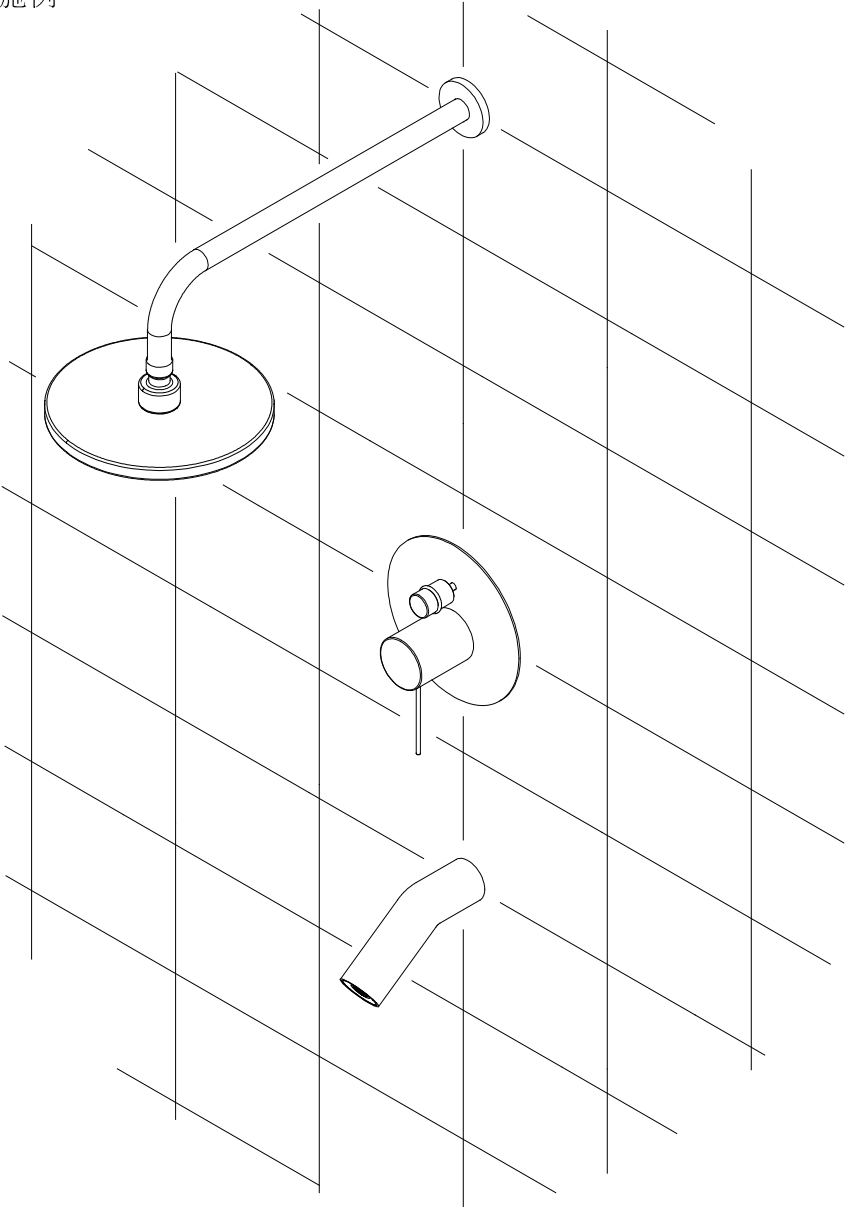


* Seal the edge with Silicone.

邊緣以矽膠黏著。

* Example

實施例



WARRANTY

Sheng Tai Brassware Co., Ltd. offer a three-year warranty on all of the Faucets & Bathroom Accessories from date of purchasing. The warranty covers any defect in material and workmanship during normal residential use. The following conditions of defect are charged for maintaining.

- Damage caused by accident, misuse, improper care and cleaning.
- Improper using or installation.
- Defects because of the external factors, such as erodent environment (ex. Seashore or mineral spring.), animal bites or dead body remains in product etc.
- Defect because of sand or impurity stuck in faucet water way.
- Using water not adhered to the regulations of national standard.
- Deficiency caused by freeze.
- Not showing this warranty card.
- Not filling out in the blank of name of customer, date of purchase, cost of purchase, company of installation (retail store) and stamp on warranty card.
- Sheng Tai Co., Ltd. is not responsible for labor charges, installation, or other incidental or consequential costs.

勝泰衛材股份有限公司提供所有的水龍頭及浴室配件，從購買之日起三年保固。保固範圍包括在一般住宅正常使用的期間，發現產品有任何材質和加工上的瑕疵。如瑕疵有下列情形，將收取維修費用。

- 因意外事故、不當操作使用，不當的保養維護和清洗所造成的損害。
- 不當使用或安裝。
- 外在因素造成產品的瑕疵，如易造成侵蝕的環境（如濱海或溫泉地區）、動物嚙咬或屍體存在於產品內造成的損壞。
- 因砂子或雜質卡住水龍頭水路造成的損壞。
- 沒有依循國家標準的規定使用水源造成的損壞。
- 因冰凍造成的水量不足。
- 未出示此保固卡。
- 未在空白處填寫客戶名稱，購買日期，購買成本，安裝公司（零售商店），及保證卡上未蓋章。
- 勝泰衛材股份有限公司不負責工人費用，安裝，或其他附帶或間接產生的費用。

Customer	Name		Tel	
	Address			
Product	Serial No.		Name	
	Warranty	Three year from date of purchase.		
Purchase place	Store		Tel	
	Address			
Purchase Date				
Purchase Price				

JUSTIME
www.justime.com

SHENG TAI BRASSWARE CO., LTD.

No.99 Sec.3 Chang Tsao Rd. Ho Me, Chang Hua, Taiwan

508 台灣彰化縣和美鎮彰草路3段99號

TEL: +886-4-7629971~4

FAX: +886-4-7526980

E-mail: shengtai@ms10.hinet.net

Facebook: www.facebook.com/JUSTIME