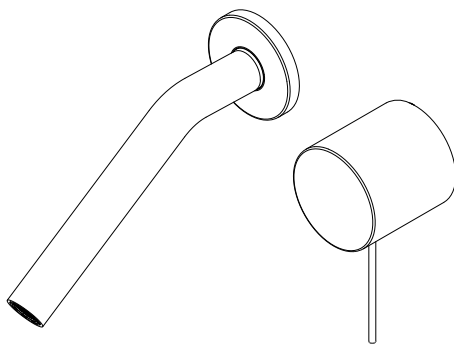


## INSTALLATION INSTRUCTIONS

Wall-Mounted Basin Mixer  
壁式檯面龍頭安裝說明

**Applicable Product Number:**  
適用產品型號:



6777-X2-80CP

# CARE & CLEANING

## 清潔與保養

**CAUTION : This product might be damaged by improper installation, acid cleaning solution, misuse, improper care and cleaning.**

1. Always follow the INSTALLATION INSTRUCTIONS provided and use extreme care while installing.
2. Do not use acid cleaning solution or abrasive cleaner (Ex: Hydrochloric acid or toothpaste); test your cleaning solution on an inconspicuous area before applying to the entire surface.
3. Wipe surfaces clean and rinse completely with water immediately after applying cleaner. Do not soak with cleaners. Rinse and dry any overspray that lands on nearby surfaces.
4. Use a dampened sponge or cloth to clean surface. (Do not use abrasive material such as brush or scouring pad. )

注意：此產品有可能因為不當安裝，誤用酸性清潔劑或清潔方式不正確而造成產品受損。

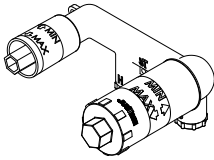
1. 產品安裝時必須依照產品所附的安裝說明和操作方式安裝。
2. 不可使用含有酸性或具研磨效果的清潔劑清洗（例如：鹽酸、牙膏），請先在產品較不顯眼的地方測試您的清潔方法，然後再應用到整個表面。
3. 產品塗佈清潔劑後，應立即擦拭除污，用清水沖洗，並擦乾產品和檯面。切勿讓清潔劑在產品表面浸濕潤漬過久。
4. 請使用濕海綿或乾淨棉布擦拭產品表面。（不可使用會刮傷或具研磨材質的刷子及鋼刷）。

# FIXING CONTENTS

## 組配件內容

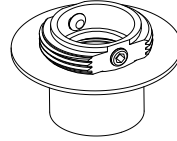
### A. Valve Body \* 1 (with sleeve)

牆壁內本體(含保護套筒)

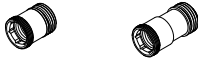


### B. Connector \* 1 (with Gasket)

接頭組

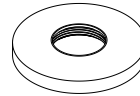


### C. Nipple \* 2 牙管

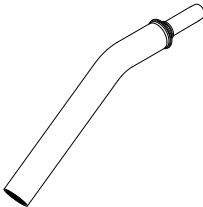


### D. Flange \* 1 (with O-Ring)

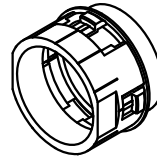
法蘭蓋(含O-ring)



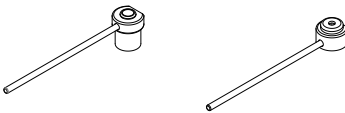
### E. Spout \* 1 出水口



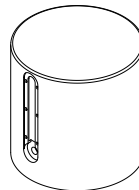
### F. Handle Base \* 1 把手固定座



### G. Lever \* 2 把手組



### H. Handle \* 1 把手蓋

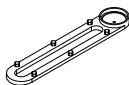


# FIXING CONTENTS

## 組配件內容

### I. Decorative Cover \* 1

裝飾蓋



### J. Hex Key (2.5mm) \* 1

六角扳手(2.5mm)



### K. Hex Key (3.0mm) \* 1

六角扳手(3.0mm)



### L. Phillips Button Head Screw \* 1

十字螺絲



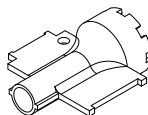
### M. Washer (with Foam Pad) \* 1

把手墊片



### N. Key for Aerator \* 1

起泡頭組裝器



# Inside Pipe Arrangement

## 管路示意圖

### NOTICE

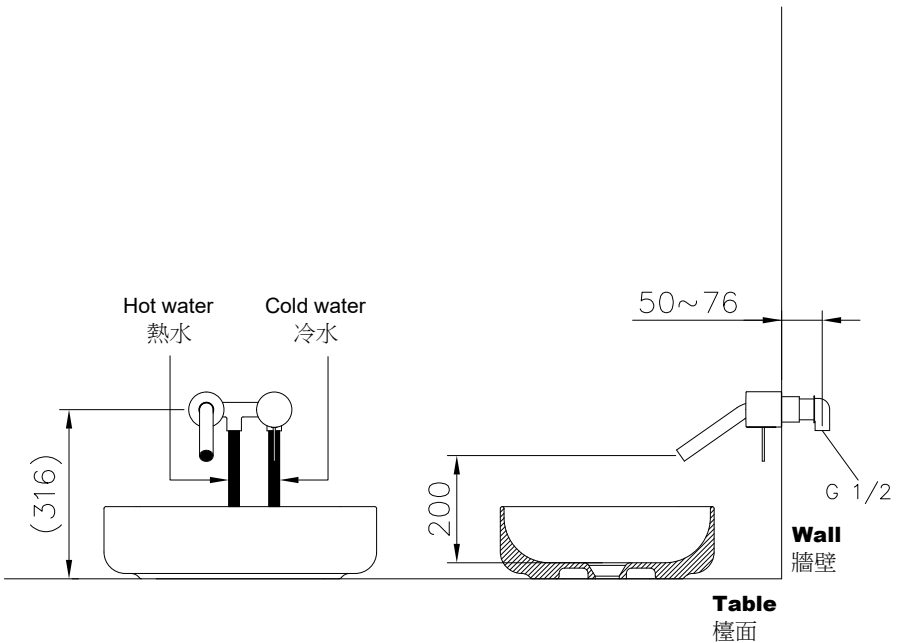
**Suggested height of Spout can be 200mm higher than the basin.**

**Size in the parentheses is only for reference, please help to adjust the height to suit for each situation.**

※注意

出水口高度，建議以盆底高度再加200mm。

( )內之尺寸請依使用者之使用高度做調整，以下尺寸僅供參考。



unit:mm

# INSTALLATION NOTE

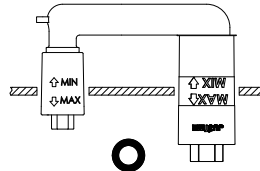
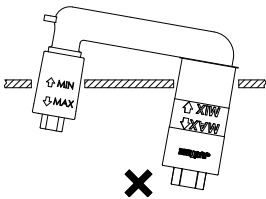
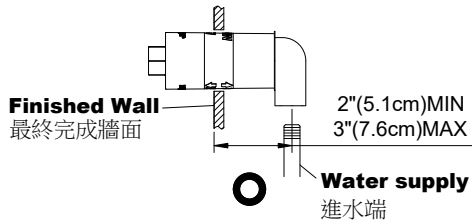
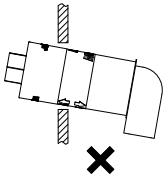
## 安裝注意事項

**⚠ CAUTION : Please read the following point carefully before Installation.**

1. Keep the **Valve Body** faces horizontal and parallel to the wall that will be finished.
2. Connect hot and cold supplies pipes to the valve body, so they are between 2"(5cm) minimum and 3"(7.6cm) maximum from the finished wall; or keep the distance be 0.4" (1.1cm) to 1.5" (3.7cm) between top of cartridge and **Finished Wall** for necessary conditions.

**⚠ 注意：安裝前，請詳閱下列注意事項。**

1. 本產品安裝固定閥體於牆壁內側時，閥體需與牆壁保持平行。
2. 進水管中心與最終完成牆面的距離須保持在最小2"(5cm)到最大3"(7.6cm)之間，或陶瓷中心栓與最終完成牆面保持在最小0.4"(1.1cm)到最大1.5"(3.7cm)。



# INSTALLATION NOTE

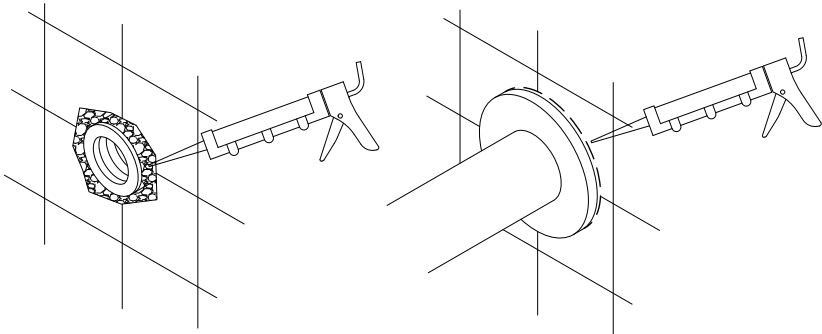
## 安裝注意事項

**⚠ CAUTION : Concealed products need to be waterproof for the gap between the outlet of pipe and opening of wall/floor to prevent water flowing into the gap.**

1. Caulk the gap with sealant or silicone.
2. Or seal the edge of decorative faceplate or cover with silicone
3. If the wall/floor is not flat or the gap of tile is big, please help to fill the gap with gap filler or caulking sealant to make decorative faceplate or cover be flat, and then seal the edge of decorative faceplate or cover to be waterproof.

**⚠ 注意：**壁式產品需在牆壁開孔周圍做好防水，避免水沿著牆壁開孔流入牆壁內側。

1. 在出水管與牆壁之間間隙加入填縫劑或矽利康。
2. 或者用矽利康在牆壁裝飾蓋的周圍做封邊。
3. 若牆壁不平整或磁磚縫隙過大，需用填縫劑將縫隙填平，使面蓋可貼齊牆壁，達到止水效果。



**⚠ CAUTION : Precent the risk of product damage.**

1. When finished installation, turn the valve on and run water for 1 minute to remove any debris before using.

**⚠ 注意：**為增加產品使用壽命，請依說明清潔供水管路。

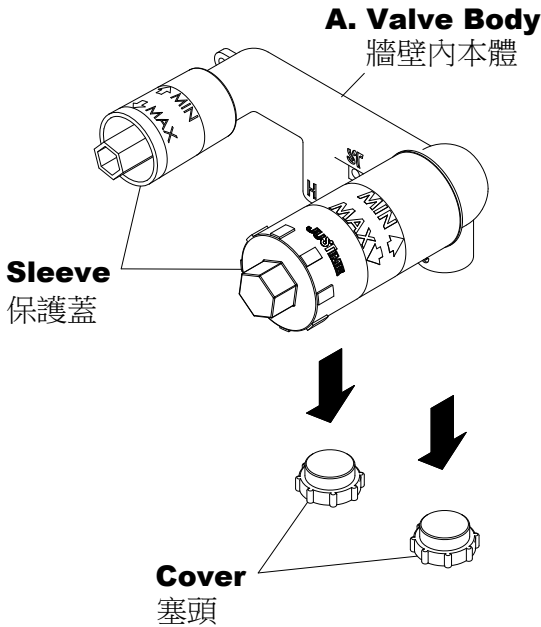
1. 完成安裝後，需在使用前先把供水開關全開排水持續一分鐘，去除雜質，以保持管路清潔。

# INSTALLATION INSTRUCTIONS

## 安裝說明

### Check the Sleeves

檢查保護蓋



- \* Use **Sleeves** to protect the cartridge and thread before installation, **Sleeves** shall only be removed after finishing the wall.

使用保護蓋保護陶瓷中心栓及螺牙，必須在安裝程序前先套上。完成埋壁體安裝程序後才可以取下保護蓋。

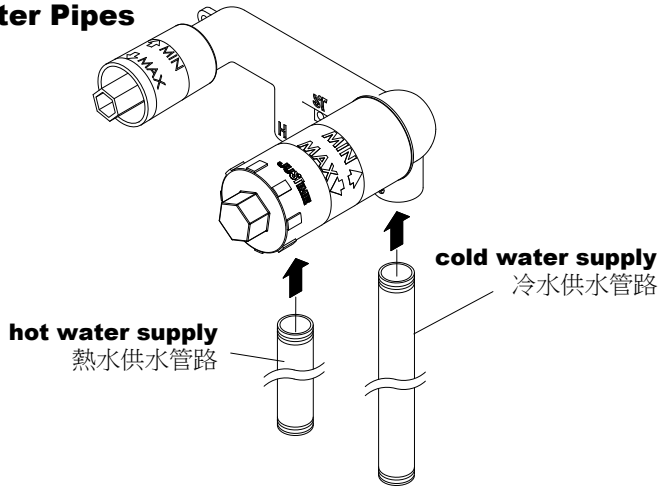
- \* Remove the **Covers** of cold and hot inlets before installation.

安裝前請先移除冷熱水進水口塞頭。



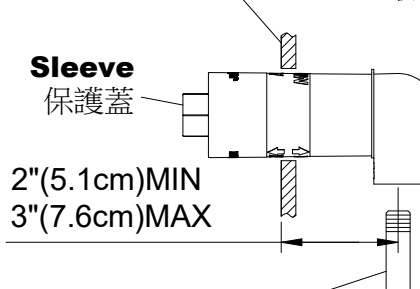
## Connect Water Pipes

安裝供水管路



### Finished Wall

最終完成牆面

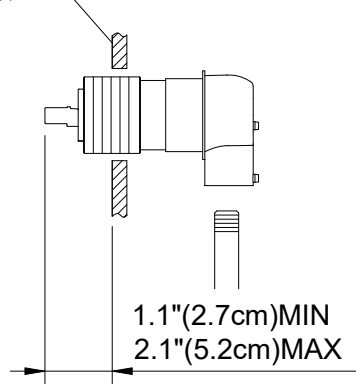


### Water supply

進水端

### Finished Wall

最終完成牆面







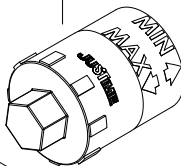
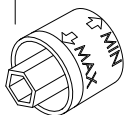
\* Connect hot and cold supplies pipes to the valve body, keep the distance between 2"(5.1cm) minimum and 3"(7.6cm) maximum from the finished wall; or keep the distance from 1.1" (2.7cm) to 2.1" (5.2cm) between top of cartridge and **Finished Wall** for necessary conditions.

安裝牆壁內本體時需預留的牆壁厚度，牆壁內本體與最終完成牆面的距離須保持在最小2"(5.1cm)到最大3"(7.6cm)之間，或陶瓷中心栓與最終完成牆面保持在最小1.1"(2.7cm)到最大2.1"(5.2cm)，此為安裝必要條件。

## Select the right Lever and Nipple

選擇適用的把手桿和牙管

<b>Lever</b> 把手桿	<b>Nipple</b> 牙管
	
<b>or</b>	<b>or</b>
	

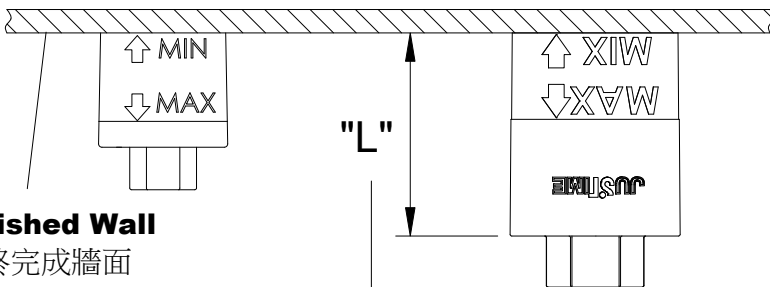


\* Before installing spout and handle, choose the proper **Lever** and **Nipple** according to the distance from top of the **Sleeve** to the finished wall.

安裝出水口和把手前，請先根據保護蓋凸出距離，選擇適用的把手桿和牙管。

\* Figure P.10 and P.11 will explain how to select correctly.

請參考P.10到P.11的教學，選擇適當的把手桿和牙管。



**Finished Wall**  
最終完成牆面

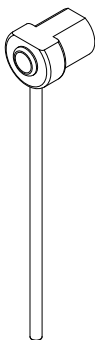
1.3"(3.3cm)



1.8"(4.5cm)



**Lever (A)**  
把手桿 (長)



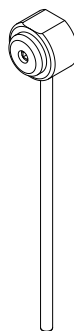
1.7"(4.4cm)

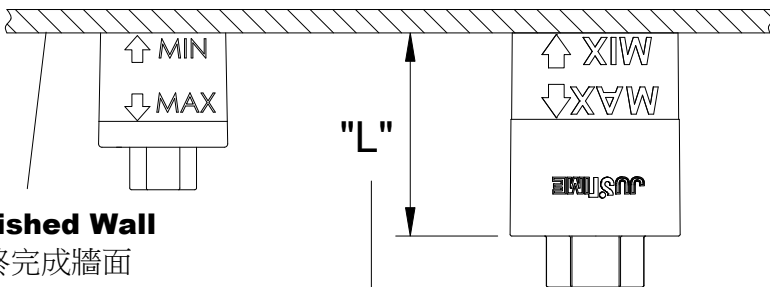


2.4"(6.0cm)



**Lever (B)**  
把手桿 (短)





**Finished Wall**  
最終完成牆面

1.3"(3.3cm)



1.8"(4.6cm)



**Nipple (A)**  
牙管(長)



1.8"(4.6cm)



2.4"(6.0cm)



**Nipple (B)**  
牙管(短)

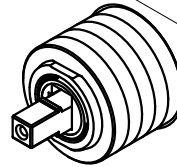
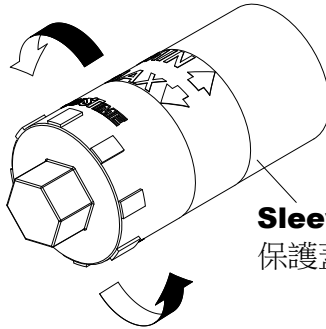
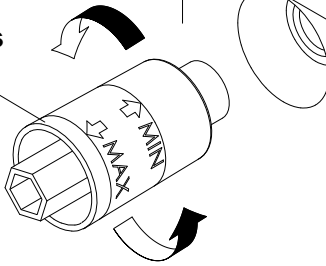


## Remove the Sleeves

移除保護蓋

**Sleeves**

保護蓋

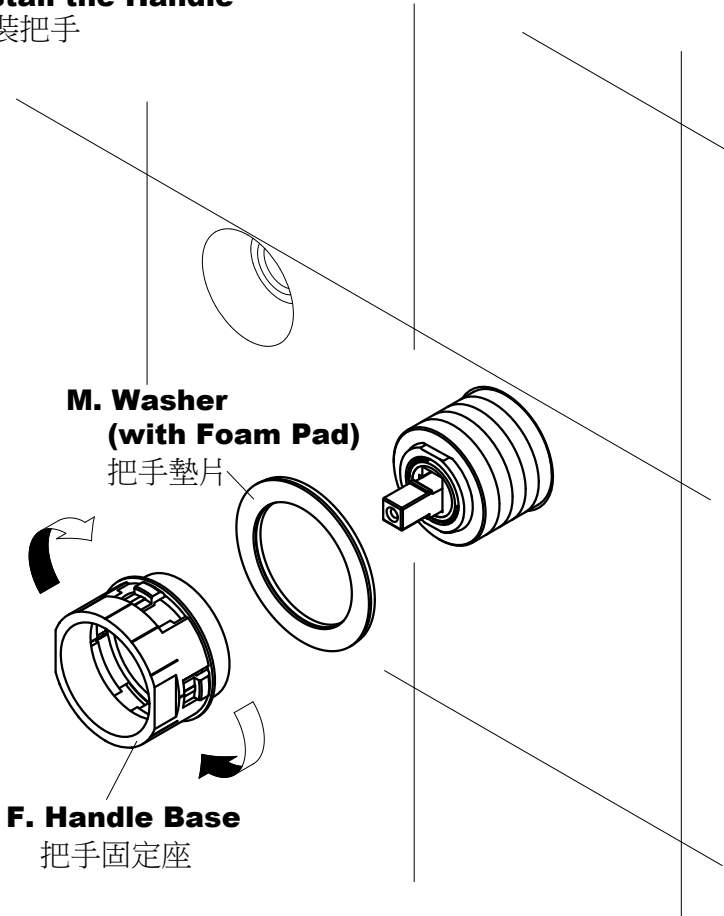


\* Remove the **Sleeves** only when the proper **Lever** and **Nipple** were selected.

確認適用的把手桿和牙管後，再將保護蓋卸除，進行後續組裝。

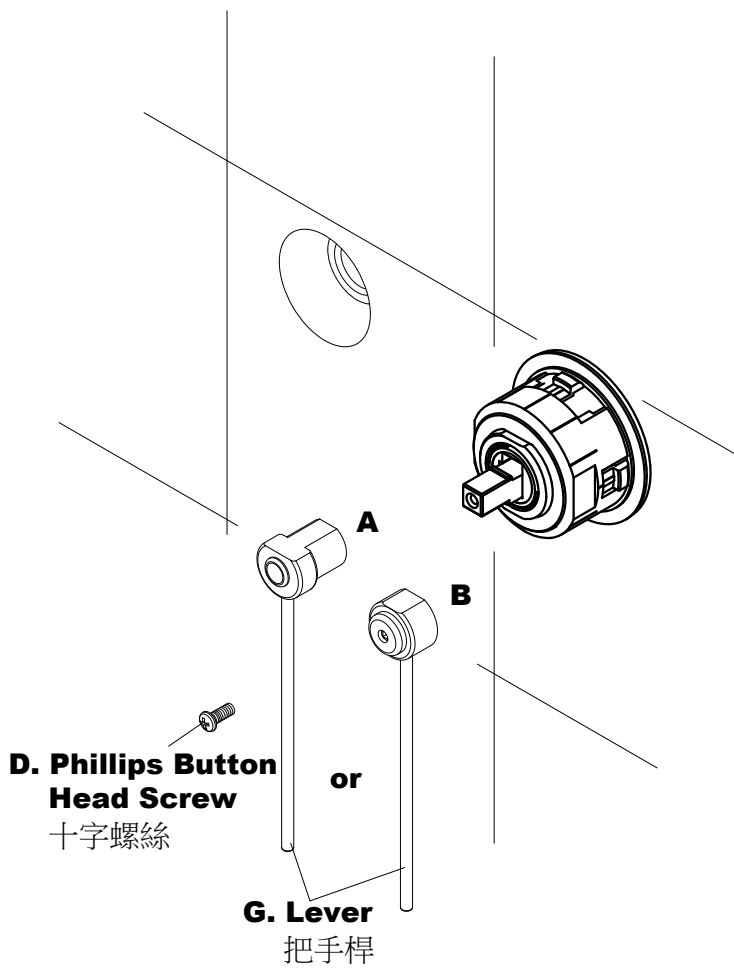
## Install the Handle

安裝把手



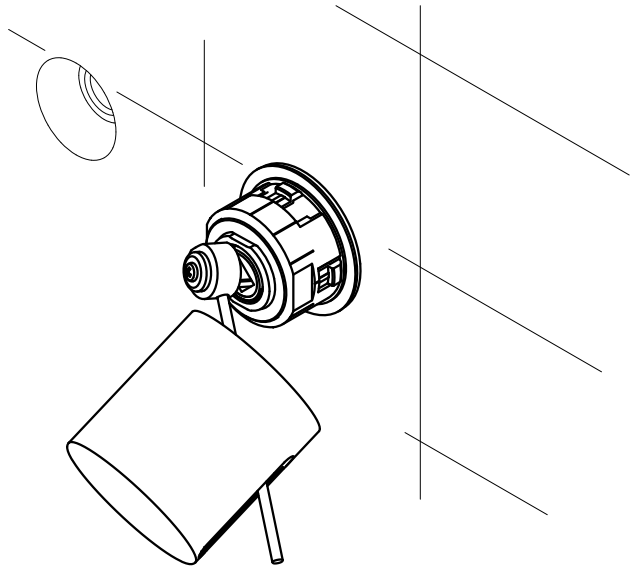
\* Screw the **Handle Base** clockwise to valve body with **Washer (with Foam Pad)** until against the finished wall; please notice the **Washer (with Foam Pad)** should be between the **Handle Base** and finished wall, and the Foam Pad side should be faced to wall.

將把手固定座依順時針方向旋轉鎖入牆內閥體直到貼緊牆壁，注意把手墊片必須穿入把手固定座並且墊片的泡棉需面向牆壁。



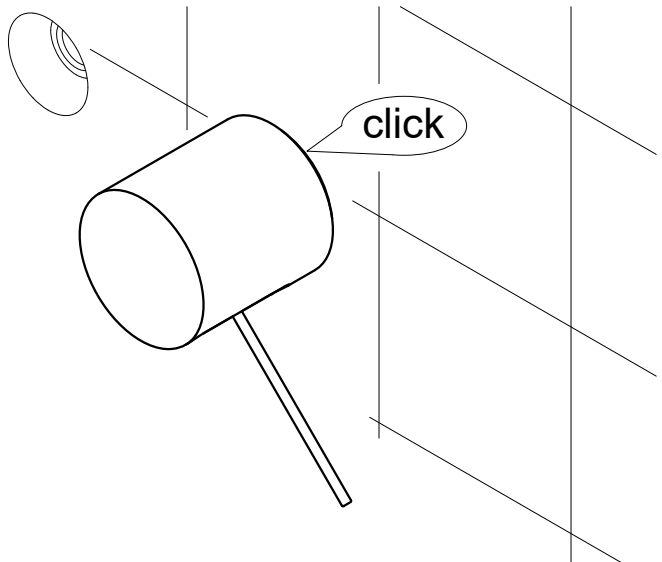
\* Select the proper **Lever** according to the explanation on P.10, and then fix the **Lever** to top of cartridge with provided **Phillips Button Head Screw**.

參考P.10教學選擇適用的把手桿，套入閥芯前端的四方柱後再以螺絲鎖緊固定。

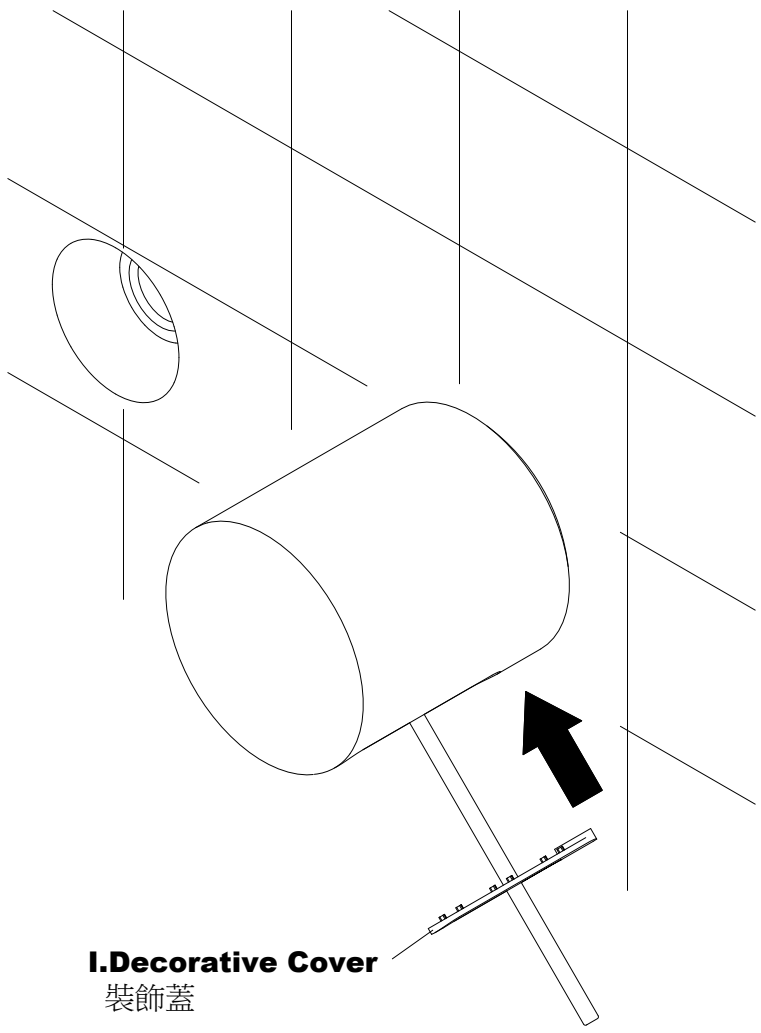


\* Cross the **Handle** over **Lever**, cover on **Handle Base**, and then push to the end until hear the “click” sound.

將把手蓋穿過把手桿後套入底座，套入後壓緊把手蓋會聽到喀嚓聲。





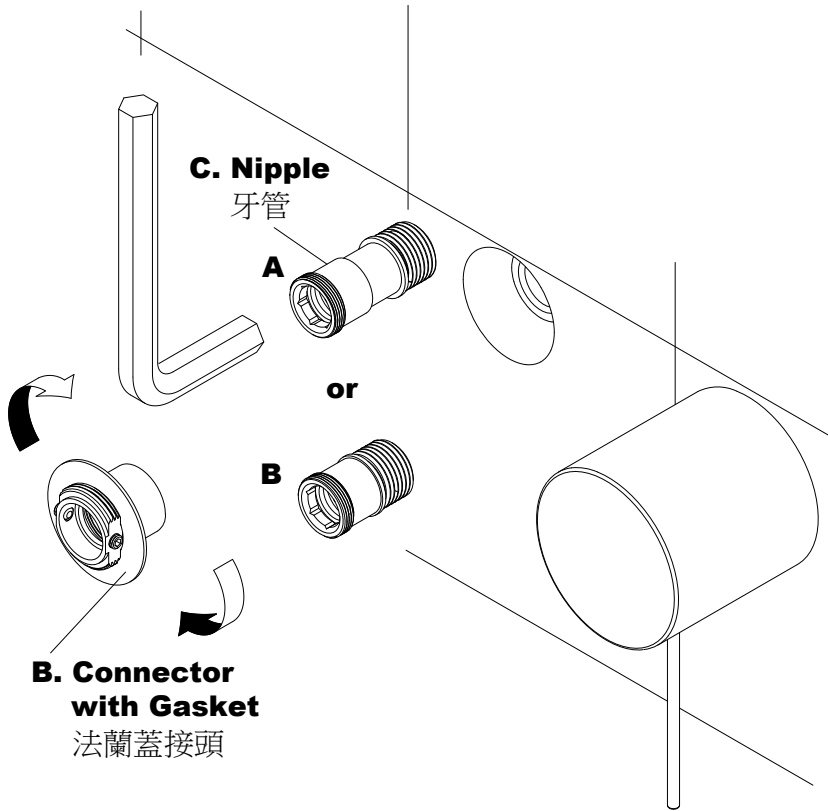


**I.Decorative Cover**  
裝飾蓋

\* Cover the **Decorative Cover** on.  
蓋上裝飾蓋。

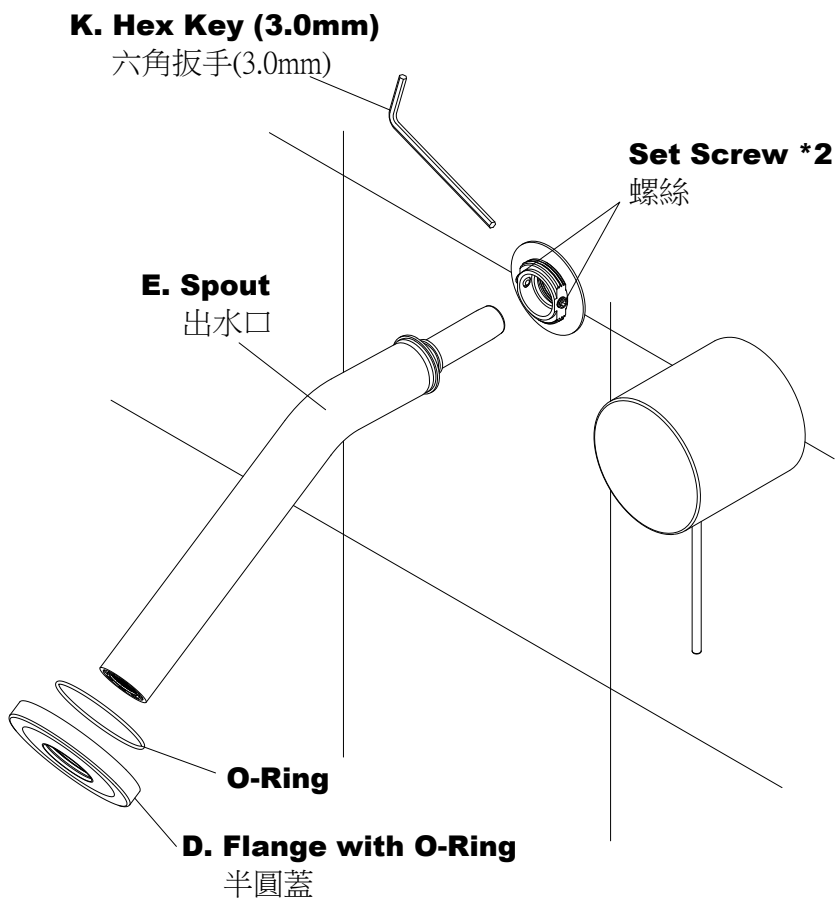
## Install the Spout

安裝出水口



\* Apply the pipe compound or thread sealant tape to the chosen **Nipple's** thread. Screw **Nipple** to the valve body by Hex Key (14mm). Screw and tighten **Connector with Gasket** to the **Nipple**.

選擇適合的牙管後，纏上止洩帶；用HEX14六角扳手將牙管鎖入牆內閥體。再將法蘭蓋接頭穿過墊片後鎖入牙管。



\* Insert the **Spout** into the **Valve Body**, confirm the direction of **Spout**, tighten the set screws of **Connector** to fix the **Spout**, and then screw **Flange** to the **Connector**.

將出水口插入牆內閥體，確定方向後鎖緊法蘭蓋底座的螺絲固定，最後鎖入法蘭蓋即可。

# WARRANTY

Sheng Tai Brassware Co., Ltd. offer a three-year warranty on all of the Faucets & Bathroom Accessories from date of purchasing. The warranty covers any defect in material and workmanship during normal residential use. The following conditions of defect are charged for maintaining.

- Damage caused by accident, misuse, improper care and cleaning.
- Improper using or installation.
- Defects because of the external factors, such as erodent environment (ex. Seashore or mineral spring.), animal bites or dead body remains in product etc.
- Defect because of sand or impurity stuck in faucet water way.
- Using water not adhered to the regulations of national standard.
- Deficiency caused by freeze.
- Not showing this warranty card.
- Not filling out in the blank of name of customer, date of purchase, cost of purchase, company of installation (retail store) and stamp on warranty card.
- Sheng Tai Co., Ltd. is not responsible for labor charges, installation, or other incidental or consequential costs.

勝泰衛材股份有限公司提供所有的水龍頭及浴室配件，從購買之日起三年保固。保固範圍包括在一般住宅正常使用的期間，發現產品有任何材質和加工上的瑕疵。如瑕疵有下列情形，將收取維修費用。

- 因意外事故、不當操作使用，不當的保養維護和清洗所造成的損害。
- 不當使用或安裝。
- 外在因素造成產品的瑕疵，如易造成侵蝕的環境（如濱海或溫泉地區）、動物嚙咬或屍體存在於產品內造成的損壞。
- 因砂子或雜質卡住水龍頭水路造成的損壞。
- 沒有依循國家標準的規定使用水源造成的損壞。
- 因冰凍造成的水量不足。
- 未出示此保固卡。
- 未在空白處填寫客戶名稱，購買日期，購買成本，安裝公司（零售商店），及保證卡上未蓋章。
- 勝泰衛材股份有限公司不負責工人費用，安裝，或其他附帶或間接產生的費用。

Customer	Name		Tel	
	Address			
Product	Serial No.		Name	
	Warranty	Three year from date of purchase.		
Purchase place	Store		Tel	
	Address			
Purchase Date				
Purchase Price				

**JUSTIME**  
www.justime.com

**SHENG TAI BRASSWARE CO., LTD.**

No.99 Sec.3 Chang Tsao Rd. Ho Me, Chang Hua, Taiwan

508 台灣彰化縣和美鎮彰草路3段99號

TEL: +886-4-7629971~4

FAX: +886-4-7526980

E-mail: shengtai@ms10.hinet.net

Facebook: www.facebook.com/JUSTIME