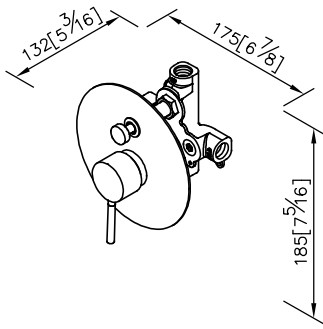


Concealed Mixer Valve W/Diverter 6765-XW-80P1



- 1.Brass of casting body meets ISO CuZn40Pb standard.
- 2.Premium metal construction for durability.
- 3.Justime finishes resist corrosion and tarnish.
- 4.Finish meets the standard of ASTM-SC2.
- 5.The speccil design check valve can prevent cross-flow to reassure the users.
- 6.The faucet should be used at the water presure from 1 to 6 kg/cm^2.
- 7.The body should be buried in the wall beforehand for 1" adjusting.

unit: mm[inch]

