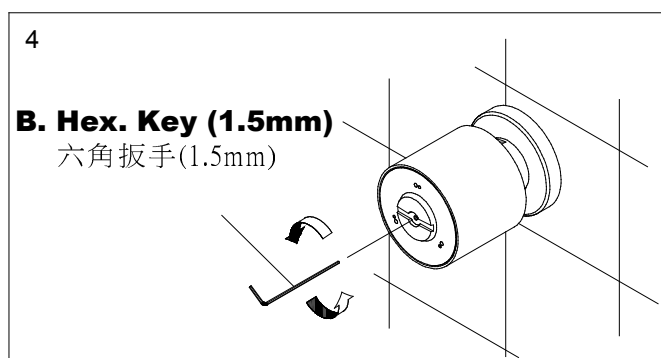
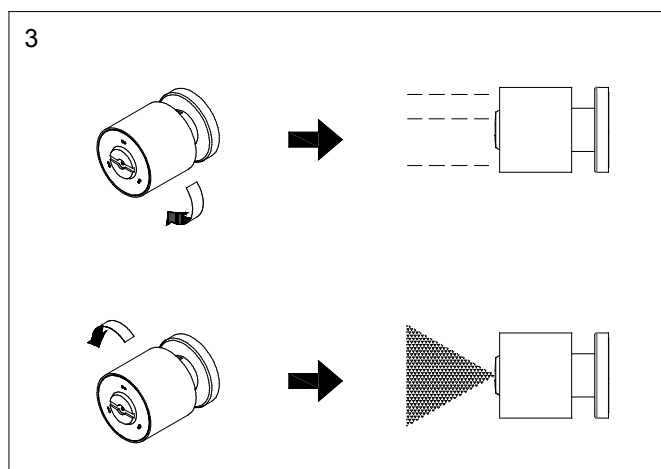
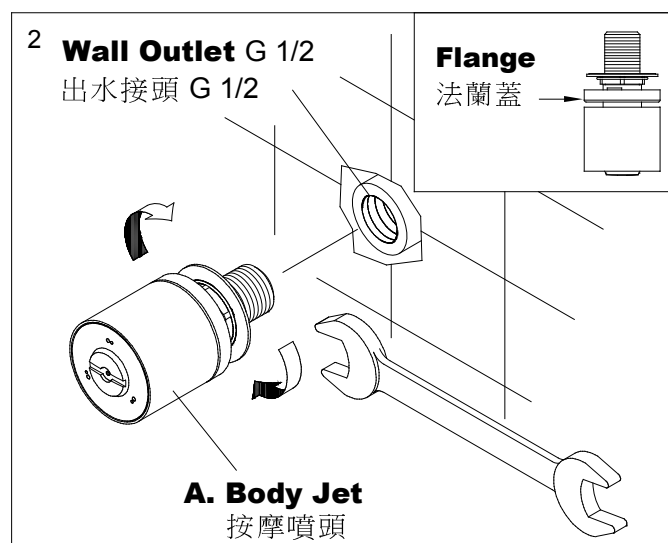
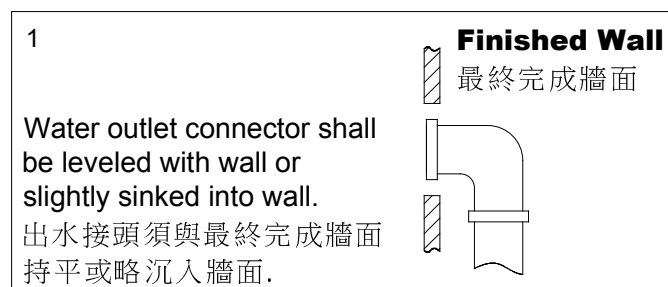


INSTALLATION INSTRUCTIONS

Body Jet

按摩噴頭安裝說明



1. The water outlet connector shall be leveled with the wall or slightly be sunk into the wall as shown on the Fig.1
安裝前請先確認出水接頭是否與最終完成牆面持平或略沉入牆面。
2. Release the flange out from its original spot to open the lock-nut. Apply the sealing tape on the thread and screw body jet into the water outlet. Fix the lock-nut tightly and cover it with the flange.
先將按摩噴頭的法蘭蓋向前拉開後，將牙管末端的牙塗上牙管膠或止洩帶並鎖入牆壁端的出水口鎖緊，最後將法蘭蓋推至牆壁端定位。
3. There are two spray variations available: massage and silk sprays.
按摩噴頭提供兩款不同的功能，順時鐘轉為斷續水柱，逆時針轉為噴霧效果。
4. You may adjust the water stream rate by using a Hex key. Insert the hex key into center-hole and turn counterclockwise to reduce it and/or clockwise to increase the flow rate.
若水柱過強的情況下，可將六角扳手穿進按摩噴頭前端的小孔，逆時針旋轉來降低水量，達到斷續水柱的按摩效果。

FIXING CONTENTS

組配件內容

