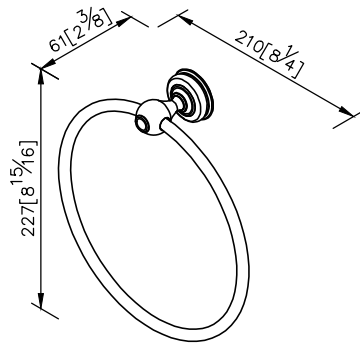


Towel Ring
6703-60-80CP



- 1.Brass of forging body meets JIS 3604 standard
- 2.Premium metal construction for durability
- 3.Justime finishes resist corrosion and tarnish
- 4.Finish meets the standard of ASTM-SC2
- 5.Correctly installed product's loading is 4 kg f
- 6.Equipped with stainless steel screws for secure installation
- 7.Coordinates with other products in Classik collection

unit: mm[inch]

