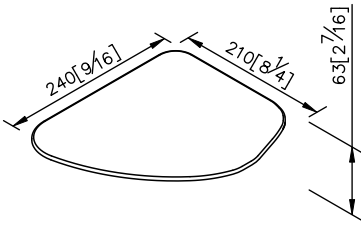
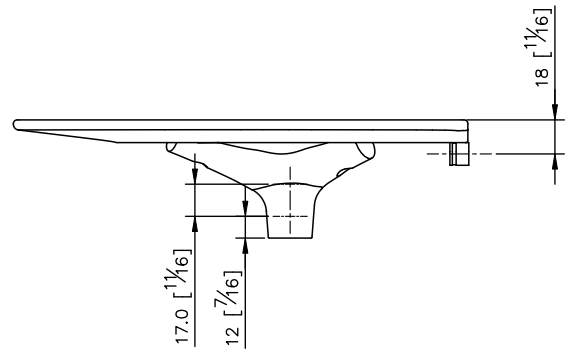
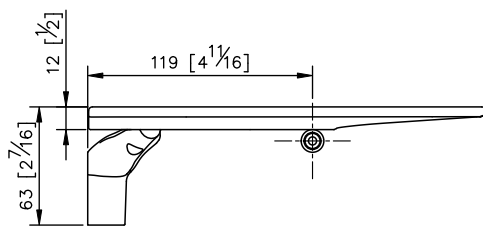
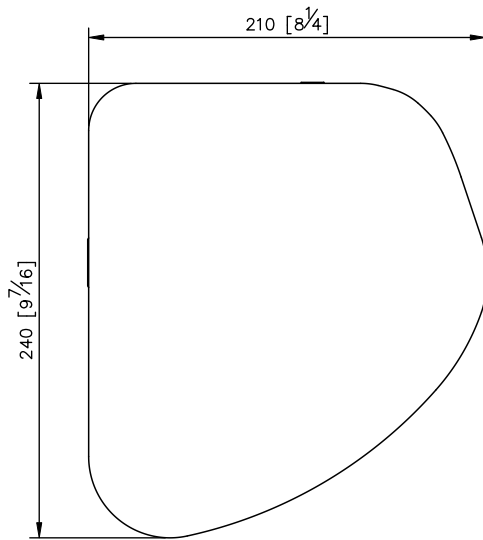


**Corner Shelf**  
6927-74-80CP



unit: mm[inch]

1. Material of sand-casting body meets ISO CuZn40Pb standard.
2. Loading: 5 kgf.
3. Brass with chrome-plated; SC2 standard of ASTM for 3 years guarantee; pass 96 hours Salt Spray Test.
4. With shelf.
5. Product is suitable for toilets of public spaces.
6. Material of Wall Bracket: Copper JIS3604 with chrome plating.
7. Material of Screw : Stainless steel SUS 304.
8. Material of Wall Mount Bracket: Copper JIS3604.
9. Material: Artificial Stone.



**Mounting Template Specification**

